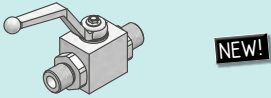
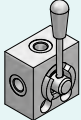
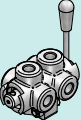
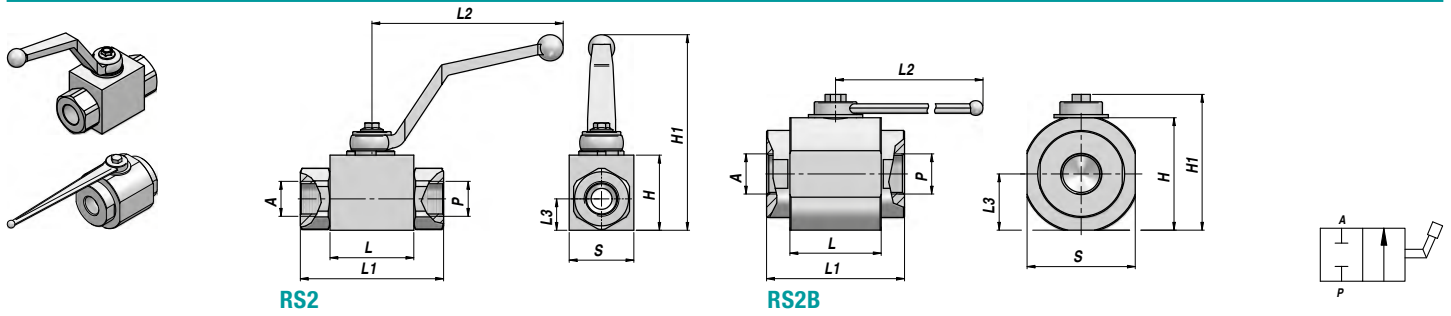


## VALVOLE DIREZIONALI HYDRAULIC DIRECTIONAL CONTROL VALVES

|   | Descrizione - Description   | Type                       | Page |
|---|---|----------------------------|------|
|    | VALVOLA A SFERA A 2 VIE<br>2-WAY BALL VALVE   | RS 2                       | 272  |
|    | VALVOLA A SFERA A 2 VIE - DIN 2353<br>2-WAY BALL VALVE - DIN 2353                                   | RSD 2                      | 272  |
|    | VALVOLA A SFERA A 3 VIE<br>3-WAY BALL VALVE   | RS 3/L<br>RS 3/T           | 273  |
|    | DEVIATORE A 3 VIE<br>3-WAY FLOW DEFLECT VALVE   | DDF3-A<br>DDF3-C           | 274  |
|    | DEVIATORE A 3 VIE - ALTA PRESSIONE<br>3-WAY FLOW DEFLECT VALVE - HIGH PRESSURE                      | DDF3 AP...A<br>DDF3 AP...C | 275  |
|   | DEVIATORE A 6 VIE<br>6-WAY FLOW DEFLECT VALVE   | DDF6-A<br>DDF6-C           | 276  |
|  | INVERTITORE A 4 VIE<br>4-WAY FLOW REVERSE   | IDF4-A<br>IDF4-C           | 277  |
|  | INVERTITORE A 8 VIE<br>8-WAY FLOW REVERSE   | BIDF8-A<br>BIDF8-C         | 278  |
|  | INVERTITORE A 4 VIE PER MOTORI "MPP-MPR-MCP-MCR"<br>4-WAY FLOW REVERSE FOR "MPP-MPR-MCP-MCR" MOTORS | BDR01<br>BDR04             | 279  |
|   |   |                            |      |
|   |   |                            |      |
|   |   |                            |      |
|   |   |                            |      |
|   |   |                            |      |

RS 2

VALVOLA A SFERA A 2 VIE  
2-WAY BALL VALVE



| Code<br>Code | A - P<br>BSP | Serie<br>Series | Q<br>MAX<br>l/min | P<br>MAX<br>bar | Tipo<br>Type | L    | L1  | L2  | L3   | H  | H1    | S  | kg   |
|--------------|--------------|-----------------|-------------------|-----------------|--------------|------|-----|-----|------|----|-------|----|------|
| DRS2040000   | 1/4"         | -               | 25                | 500             | RS 2 DN 6    | 42.4 | 71  | 110 | 14.5 | 35 | 91.5  | 30 | 0.50 |
| DRS2060000   | 3/8"         | -               | 35                | 500             | RS 2 DN10    | 44.4 | 73  | 110 | 17.4 | 40 | 96.5  | 35 | 0.65 |
| DRS2080000   | 1/2"         | -               | 60                | 500             | RS 2 DN13    | 48.4 | 83  | 110 | 18.0 | 43 | 99.5  | 37 | 0.77 |
| DRS2120000   | 3/4"         | -               | 100               | 400             | RS 2 DN20    | 62.5 | 95  | 180 | 23.4 | 57 | 106.5 | 49 | 1.46 |
| DRS2160000   | 1"           | -               | 160               | 350             | RS 2 DN25    | 66.5 | 112 | 180 | 29.5 | 65 | 116.5 | 55 | 2.23 |
| DRS2200000   | 1"1/4-R      | -               | 160               | 350             | RS 2 DN25    | 66.5 | 120 | 180 | 29.5 | 65 | 116.5 | 55 | 2.30 |

A RICHIESTA - ON REQUEST :  
FORI DI FISSAGGIO - FIXING HOLES

MATERIALE CORPO : ACCIAIO  
BODY MATERIAL : STEEL

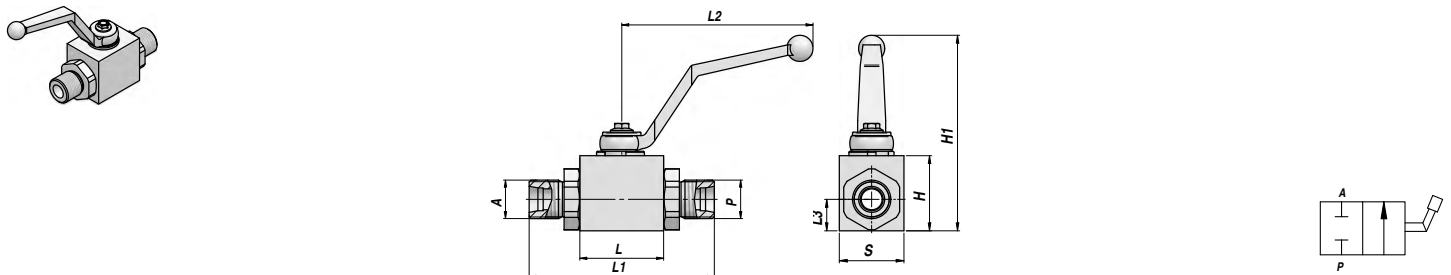
MONTAGGIO IN LINEA  
LINE MOUNTING

A RICHIESTA : INOX AISI 316  
ON REQUEST : STAINLESS STEEL AISI 316

RSD 2

NEW!

VALVOLA A SFERA A 2 VIE - DIN 2353  
2-WAY BALL VALVE - DIN 2353



| Code<br>Code | A - P<br>BSP | Serie<br>Series | Q<br>MAX<br>l/min | P<br>MAX<br>bar | Tipo<br>Type  | L    | L1    | L2  | L3   | H  | H1    | S  | kg   |
|--------------|--------------|-----------------|-------------------|-----------------|---------------|------|-------|-----|------|----|-------|----|------|
| DRSD208L00   | M14x1.5      | L               | 25                | 500             | RSD2 08L DN06 | 42.4 | 76.0  | 110 | 14.5 | 35 | 91.5  | 30 | 0.48 |
| DRSD210L00   | M16x1.5      | L               | 35                | 500             | RSD2 10L DN10 | 44.4 | 76.5  | 110 | 17.4 | 40 | 96.5  | 35 | 0.60 |
| DRSD212L00   | M18x1.5      | L               | 35                | 500             | RSD2 12L DN10 | 44.4 | 79.5  | 110 | 17.4 | 40 | 96.5  | 35 | 0.62 |
| DRSD215L00   | M22x1.5      | L               | 60                | 500             | RSD2 15L DN13 | 48.4 | 87.0  | 110 | 18.0 | 43 | 99.5  | 37 | 0.73 |
| DRSD218L00   | M26x1.5      | L               | 60                | 500             | RSD2 18L DN13 | 48.4 | 87.0  | 110 | 18.0 | 43 | 99.5  | 37 | 0.75 |
| DRSD222L00   | M30x2        | L               | 100               | 400             | RSD2 22L DN20 | 62.5 | 110.0 | 180 | 23.4 | 57 | 106.5 | 49 | 1.46 |
| DRSD228L00   | M36x2        | L               | 160               | 350             | RSD2 28L DN25 | 66.5 | 117.0 | 180 | 29.5 | 65 | 116.5 | 55 | 2.13 |
| DRSD210S00   | M18x1.5      | S               | 25                | 500             | RSD2 10S DN06 | 42.4 | 76.0  | 110 | 14.5 | 35 | 91.5  | 30 | 0.50 |
| DRSD212S00   | M20x1.5      | S               | 35                | 500             | RSD2 12S DN10 | 44.4 | 76.0  | 110 | 17.4 | 40 | 96.5  | 35 | 0.60 |
| DRSD214S00   | M22x1.5      | S               | 35                | 500             | RSD2 14S DN10 | 44.4 | 82.5  | 110 | 17.4 | 40 | 96.5  | 35 | 0.63 |
| DRSD216S00   | M24x1.5      | S               | 60                | 500             | RSD2 16S DN13 | 48.4 | 89.0  | 110 | 18.0 | 43 | 99.5  | 37 | 0.67 |
| DRSD220S00   | M30x2        | S               | 60                | 500             | RSD2 20S DN13 | 48.4 | 93.0  | 110 | 18.0 | 43 | 99.5  | 37 | 0.79 |
| DRSD225S00   | M36x2        | S               | 100               | 400             | RSD2 25S DN20 | 62.5 | 111.0 | 180 | 23.4 | 57 | 106.5 | 49 | 1.49 |
| DRSD230S00   | M42x2        | S               | 160               | 350             | RSD2 30S DN25 | 66.5 | 121.0 | 180 | 29.5 | 65 | 116.5 | 55 | 2.15 |

A RICHIESTA - ON REQUEST :  
FORI DI FISSAGGIO - FIXING HOLES

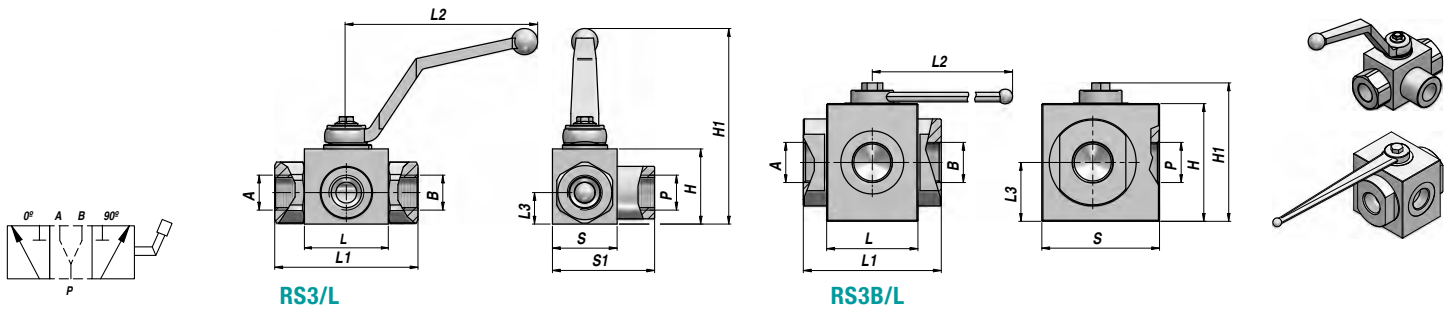
MATERIALE CORPO : ACCIAIO  
BODY MATERIAL : STEEL

MONTAGGIO IN LINEA  
LINE MOUNTING

A RICHIESTA : INOX AISI 316  
ON REQUEST : STAINLESS STEEL AISI 316

VALVOLA A SFERA A 3 VIE - CENTRO CHIUSO  
3-WAY BALL VALVE - CLOSED CENTRE

RS 3/L



| Code<br>Code | A - P - B<br>BSP | Schema<br>Scheme | Q<br>MAX<br>l/min | P<br>MAX<br>bar | Tipo<br>Type | L    | L1  | L2  | L3   | H   | H1    | S   | S1   | kg    |
|--------------|------------------|------------------|-------------------|-----------------|--------------|------|-----|-----|------|-----|-------|-----|------|-------|
| DRS3040000   | 1/4"             | L                | 25                | 400             | RS 3/L DN 6  | 42.4 | 71  | 110 | 14.5 | 35  | 91.5  | 30  | 48.5 | 0,54  |
| DRS3060000   | 3/8"             | L                | 35                | 400             | RS 3/L DN10  | 44.4 | 73  | 110 | 17.4 | 40  | 96.5  | 35  | 54.5 | 0,70  |
| DRS3080000   | 1/2"             | L                | 60                | 350             | RS 3/L DN13  | 48.4 | 83  | 110 | 18.0 | 43  | 99.5  | 37  | 58.5 | 0,83  |
| DRS3120000   | 3/4"             | L                | 100               | 400             | RS 3/L DN20  | 62.5 | 95  | 180 | 23.4 | 57  | 106.5 | 49  | 75.0 | 1,58  |
| DRS3160000   | 1"               | L                | 160               | 350             | RS 3/L DN25  | 66.5 | 112 | 180 | 29.5 | 65  | 116.5 | 55  | 89.0 | 2,42  |
| DRS3200000   | 1"1/4-R          | L                | 160               | 350             | RS 3/L DN25  | 66.5 | 120 | 180 | 29.5 | 65  | 116.5 | 55  | 89.0 | 2,60  |
| DRS3240000   | 1"1/2"           | L                | -                 | 350             | RS 3B/L DN40 | 85.0 | 131 | 300 | 53.5 | 107 | 134.5 | 115 | -    | 8,63  |
| DRS3320000   | 2"               | L                | -                 | 350             | RS 3B/L DN50 | 98.0 | 140 | 300 | 57.0 | 114 | 141.5 | 128 | -    | 10,61 |

A RICHIESTA - ON REQUEST :  
FORI DI FISSAGGIO - FIXING HOLES

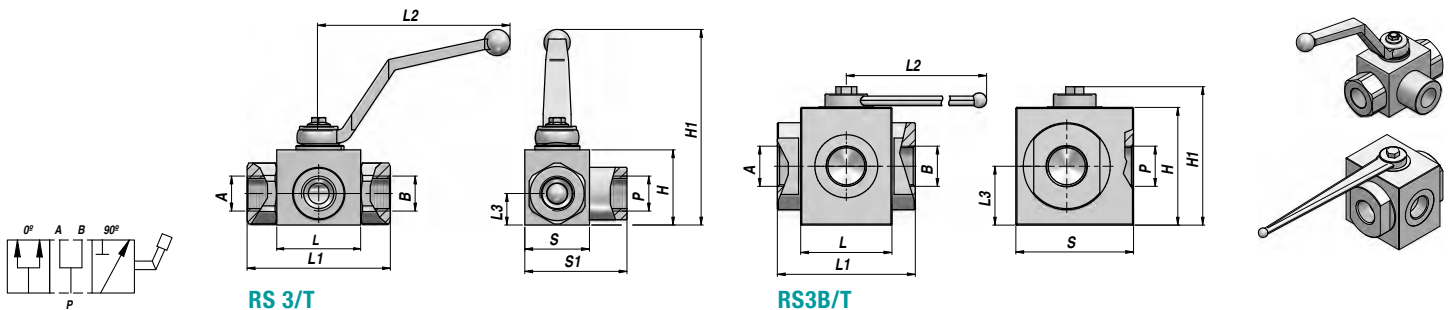
MATERIALE CORPO : ACCIAIO  
BODY MATERIAL : STEEL

MONTAGGIO IN LINEA  
LINE MOUNTING

A RICHIESTA : INOX AISI 316  
ON REQUEST : STAINLESS STEEL AISI 316

VALVOLA A SFERA A 3 VIE - CENTRO APERTO  
3-WAY BALL VALVE - OPEN CENTRE

RS 3/T



| Code<br>Code | A - P - B<br>BSP | Schema<br>Scheme | Q<br>MAX<br>l/min | P<br>MAX<br>bar | Tipo<br>Type | L    | L1  | L2  | L3   | H   | H1    | S   | S1   | kg    |
|--------------|------------------|------------------|-------------------|-----------------|--------------|------|-----|-----|------|-----|-------|-----|------|-------|
| DRST304000   | 1/4"             | T                | 25                | 400             | RS 3/T DN 6  | 42.4 | 71  | 110 | 14.5 | 35  | 91.5  | 30  | 48.5 | 0.54  |
| DRST306000   | 3/8"             | T                | 35                | 400             | RS 3/T DN10  | 44.4 | 73  | 110 | 17.4 | 40  | 96.5  | 35  | 54.5 | 0.70  |
| DRST308000   | 1/2"             | T                | 60                | 350             | RS 3/T DN13  | 48.4 | 83  | 110 | 18.0 | 43  | 99.5  | 37  | 58.5 | 0.83  |
| DRST312000   | 3/4"             | T                | 100               | 400             | RS 3/T DN20  | 62.5 | 95  | 180 | 23.4 | 57  | 106.5 | 49  | 75.0 | 1.58  |
| DRST316000   | 1"               | T                | 160               | 350             | RS 3/T DN25  | 66.5 | 112 | 180 | 29.5 | 65  | 116.5 | 55  | 89.0 | 2.42  |
| DRST320000   | 1"1/4-R          | T                | 160               | 350             | RS 3/T DN25  | 66.5 | 120 | 180 | 29.5 | 65  | 116.5 | 55  | 89.0 | 2.60  |
| DRST324000   | 1"1/2"           | T                | -                 | 350             | RS 3B/T DN40 | 85.0 | 131 | 300 | 53.5 | 107 | 134.5 | 115 | -    | 8.63  |
| DRST332000   | 2"               | T                | -                 | 350             | RS 3B/T DN50 | 98.0 | 140 | 300 | 57.0 | 114 | 141.5 | 128 | -    | 10.61 |

A RICHIESTA - ON REQUEST :  
FORI DI FISSAGGIO - FIXING HOLES

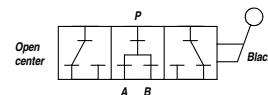
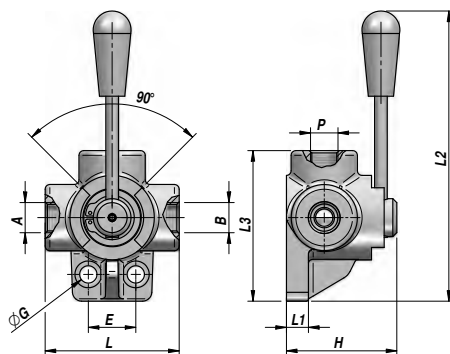
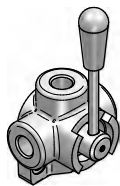
MATERIALE CORPO : ACCIAIO  
BODY MATERIAL : STEEL

MONTAGGIO IN LINEA  
LINE MOUNTING

A RICHIESTA : INOX AISI 316  
ON REQUEST : STAINLESS STEEL AISI 316

**DDF3-A**

**DEVIATORE A 3 VIE - CENTRO APERTO**  
**3-WAY FLOW DEFLECT VALVE - OPEN CENTRE**



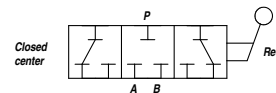
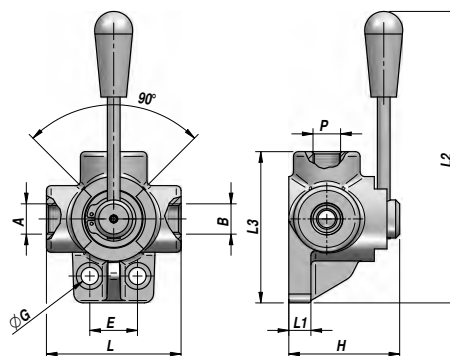
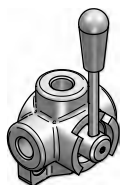
| Codice<br>Code | A - P - B<br>BSP | Q<br>MAX<br>l/min | P<br>MAX<br>bar | Tipo<br>Type    | L  | L1 | L2  | ØG   | E  | H  | L3  | kg   |
|----------------|------------------|-------------------|-----------------|-----------------|----|----|-----|------|----|----|-----|------|
| V70367.A00600  | 3/8"             | 60                | 300             | DDF3-A 3/8" C/A | 73 | 13 | 169 | 8.5  | 24 | 62 | 77  | 0,89 |
| V70367.A00800  | 1/2"             | 90                | 250             | DDF3-A 1/2" C/A | 85 | 12 | 180 | 10.5 | 32 | 70 | 96  | 1,45 |
| V70367.A01200  | 3/4"             | 120               | 220             | DDF3-A 3/4" C/A | 90 | 14 | 180 | 10.5 | 32 | 80 | 100 | 1,82 |
| V70367.A11600  | 1"               | 200               | 220             | DDF3-A 1" C/A   | 96 | 14 | 207 | 11.0 | 32 | 90 | 115 | 2,50 |

MATERIALE CORPO : GHISA  
BODY MATERIAL : CAST IRON

MONTAGGIO IN LINEA  
LINE MOUNTING

**DDF3-C**

**DEVIATORE A 3 VIE - CENTRO CHIUSO**  
**3-WAY FLOW DEFLECT VALVE - CLOSED CENTRE**



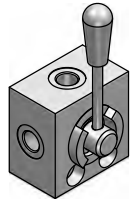
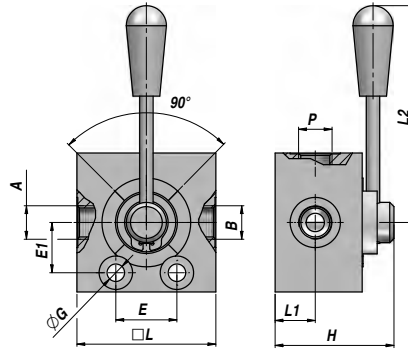
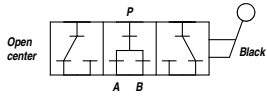
| Codice<br>Code | A - P - B<br>BSP | Q<br>MAX<br>l/min | P<br>MAX<br>bar | Tipo<br>Type    | L  | L1 | L2  | ØG   | E  | H  | L3  | kg   |
|----------------|------------------|-------------------|-----------------|-----------------|----|----|-----|------|----|----|-----|------|
| V70367.C00600  | 3/8"             | 60                | 300             | DDF3-C 3/8" C/C | 73 | 13 | 169 | 8.5  | 24 | 62 | 77  | 0,89 |
| V70367.C00800  | 1/2"             | 90                | 250             | DDF3-C 1/2" C/C | 85 | 12 | 180 | 10.5 | 32 | 70 | 96  | 1,45 |
| V70367.C01200  | 3/4"             | 120               | 220             | DDF3-C 3/4" C/C | 90 | 14 | 180 | 10.5 | 32 | 80 | 100 | 1,82 |
| V70367.C11600  | 1"               | 200               | 220             | DDF3-C 1" C/C   | 96 | 14 | 207 | 11.0 | 32 | 90 | 115 | 2,50 |

MATERIALE CORPO : GHISA  
BODY MATERIAL : CAST IRON

MONTAGGIO IN LINEA  
LINE MOUNTING

DEVIATORE A 3 VIE "AP...A" - CENTROAPERTO - ALTA PRESSIONE  
3-WAY FLOW DEFLECT VALVE "AP...A" - OPEN CENTRE - HIGH PRESSURE

DDF 3 AP...A



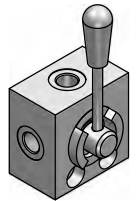
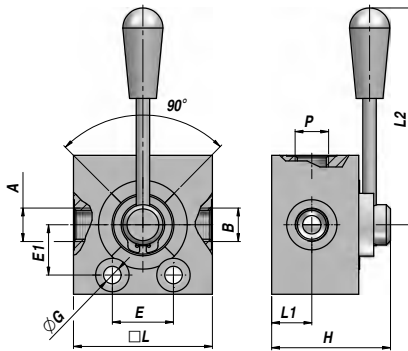
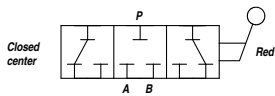
| Codice Code   | A - P - B BSP | Q MAX l/min | P MAX bar | Tipo Type     | L   | L1   | L2  | ØG   | E    | E1    | H  | kg   |
|---------------|---------------|-------------|-----------|---------------|-----|------|-----|------|------|-------|----|------|
| V71367.A00600 | 3/8"          | 60          | 450       | DDF3 AP 020 A | 68  | 21.0 | 135 | 8.5  | 30.0 | 24.75 | 62 | 1,38 |
| V71367.A00800 | 1/2"          | 90          | 400       | DDF3 AP 030 A | 83  | 24.0 | 130 | 10.5 | 36.5 | 30.00 | 71 | 2,38 |
| V71367.A01200 | 3/4"          | 120         | 350       | DDF3 AP 040 A | 87  | 28.0 | 130 | 11.0 | 32.0 | 30.50 | 80 | 2,88 |
| V71367.A01600 | 1"            | 180         | 320       | DDF3 AP 050 A | 106 | 31.5 | 160 | 11.0 | 60.0 | 38.00 | 89 | 4,76 |

MATERIALE CORPO : GHISA ZINCATA  
BODY MATERIAL : ZINC PLATED CAST IRON

MONTAGGIO IN LINEA  
LINE MOUNTING

DEVIATORE A 3 VIE "AP...C" - CENTRO CHIUSO - ALTA PRESSIONE  
3-WAY FLOW DEFLECT VALVE "AP...C" - CLOSED CENTRE - HIGH PRESSURE

DDF 3 AP...C



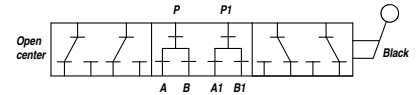
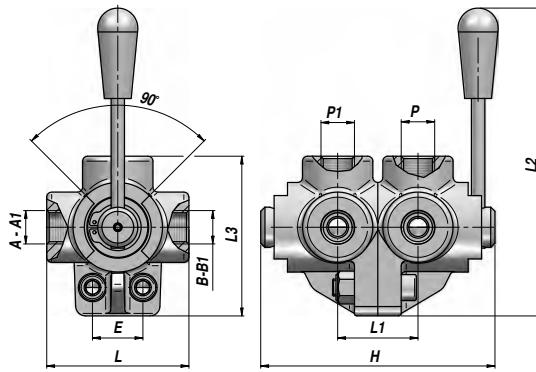
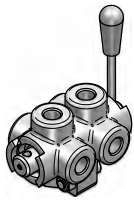
| Codice Code   | A - P - B BSP | Q MAX l/min | P MAX bar | Tipo Type     | L   | L1   | L2  | ØG   | E    | E1    | H  | kg   |
|---------------|---------------|-------------|-----------|---------------|-----|------|-----|------|------|-------|----|------|
| V71367.C00600 | 3/8"          | 60          | 450       | DDF3 AP 020 C | 68  | 21.0 | 135 | 8.5  | 30.0 | 24.75 | 62 | 1,38 |
| V71367.C00800 | 1/2"          | 90          | 400       | DDF3 AP 030 C | 83  | 24.0 | 130 | 10.5 | 36.5 | 30.00 | 71 | 2,38 |
| V71367.C01200 | 3/4"          | 120         | 350       | DDF3 AP 040 C | 87  | 28.0 | 130 | 11.0 | 32.0 | 30.50 | 80 | 2,88 |
| V71367.C01600 | 1"            | 180         | 320       | DDF3 AP 050 C | 106 | 31.5 | 160 | 11.0 | 60.0 | 38.00 | 89 | 4,76 |

MATERIALE CORPO : GHISA ZINCATA  
BODY MATERIAL : ZINC PLATED CAST IRON

MONTAGGIO IN LINEA  
LINE MOUNTING

**DDF6-A**

**DEVIATORE A 6 VIE - CENTRO APERTO**  
**6-WAY FLOW DEFLECT VALVE - OPEN CENTRE**



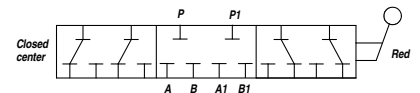
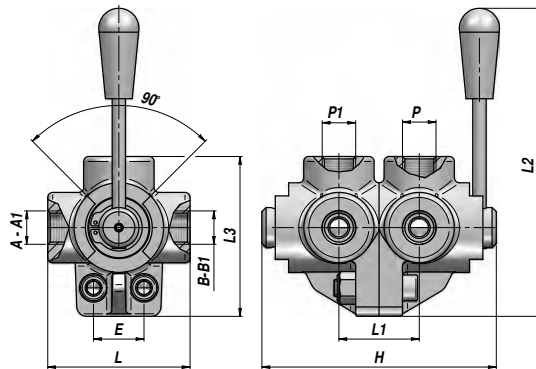
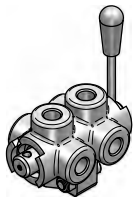
| Codice Code   | A - P - B BSP | A1 - P1 - B1 BSP | Q MAX l/min | P MAX bar | Tipo Type       | L  | L1 | L2  | E  | H   | L3  | kg   |
|---------------|---------------|------------------|-------------|-----------|-----------------|----|----|-----|----|-----|-----|------|
| V70667.A00600 | 3/8"          | 3/8"             | 60          | 300       | DDF6-A 3/8" C/A | 73 | 42 | 169 | 24 | 146 | 77  | 1,69 |
| V70667.A00800 | 1/2"          | 1/2"             | 90          | 250       | DDF6-A 1/2" C/A | 85 | 50 | 180 | 32 | 170 | 96  | 2,90 |
| V70667.A01200 | 3/4"          | 3/4"             | 120         | 220       | DDF6-A 3/4" C/A | 90 | 56 | 180 | 32 | 180 | 100 | 3,65 |
| V70667.A11600 | 1"            | 1"               | 200         | 220       | DDF6-A 1" C/A   | 96 | 65 | 207 | 32 | 192 | 115 | 5,10 |

MATERIALE CORPO : GHISA  
BODY MATERIAL : CAST IRON

MONTAGGIO IN LINEA  
LINE MOUNTING

**DDF6-C**

**DEVIATORE A 6 VIE - CENTRO CHIUSO**  
**6-WAY FLOW DEFLECT VALVE - CLOSED CENTRE**



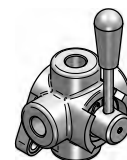
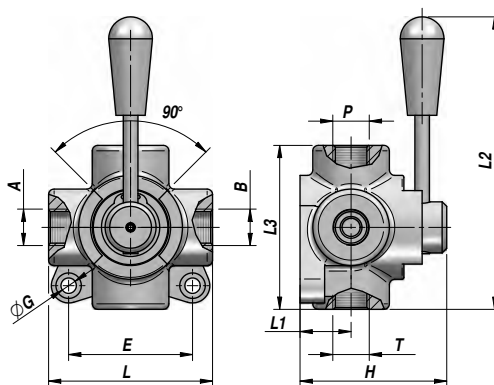
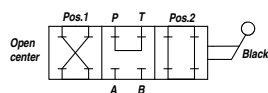
| Codice Code   | A - P - B BSP | A1 - P1 - B1 BSP | Q MAX l/min | P MAX bar | Tipo Type       | L  | L1 | L2  | H  | L3  | kg   |
|---------------|---------------|------------------|-------------|-----------|-----------------|----|----|-----|----|-----|------|
| V70667.C00600 | 3/8"          | 3/8"             | 60          | 300       | DDF6-C 3/8" C/C | 73 | 42 | 169 | 24 | 77  | 1,69 |
| V70667.C00800 | 1/2"          | 1/2"             | 90          | 250       | DDF6-C 1/2" C/C | 85 | 50 | 180 | 32 | 96  | 2,90 |
| V70667.C01200 | 3/4"          | 3/4"             | 120         | 220       | DDF6-C 3/4" C/C | 90 | 56 | 180 | 32 | 100 | 3,65 |
| V70667.C11600 | 1"            | 1"               | 200         | 220       | DDF6-C 1" C/C   | 96 | 65 | 207 | 32 | 115 | 5,10 |

MATERIALE CORPO : GHISA  
BODY MATERIAL : CAST IRON

MONTAGGIO IN LINEA  
LINE MOUNTING

**INVERTITORE A 4 VIE - CENTRO APERTO**  
4-WAY FLOW REVERSE - OPEN CENTRE

**IDF4-A**



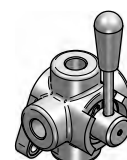
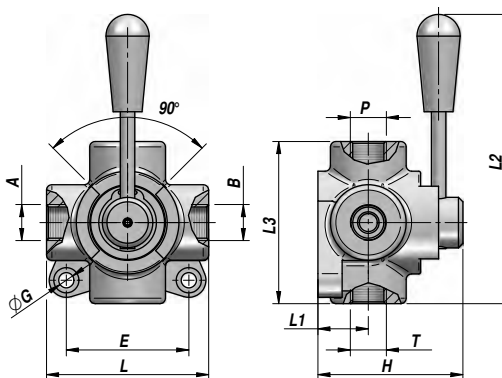
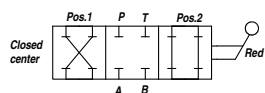
| Codice Code   | P - T BSP | A - B BSP | Q MAX l/min | P MAX bar | Tipo Type       | L  | L1 | L2  | ØG  | E    | H  | L3 | kg   |
|---------------|-----------|-----------|-------------|-----------|-----------------|----|----|-----|-----|------|----|----|------|
| V70467.A00600 | 3/8"      | 3/8"      | 60          | 300       | IDF4-A 3/8" C/A | 77 | 24 | 165 | 8.5 | 53.5 | 70 | 77 | 1,27 |
| V70467.A00800 | 1/2"      | 1/2"      | 90          | 250       | IDF4-A 1/2" C/A | 90 | 28 | 168 | 8.5 | 68.0 | 80 | 90 | 1,87 |
| V70467.A01200 | 3/4"      | 3/4"      | 120         | 250       | IDF4-A 3/4" C/A | 95 | 32 | 195 | 8.5 | 74.0 | 90 | 95 | 2,50 |

MATERIALE CORPO : GHISA  
BODY MATERIAL : CAST IRON

MONTAGGIO IN LINEA  
LINE MOUNTING

**INVERTITORE A 4 VIE - CENTRO CHIUSO**  
4-WAY FLOW REVERSE - CLOSED CENTRE

**IDF4-C**



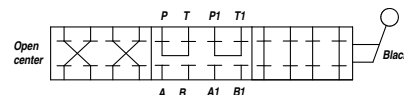
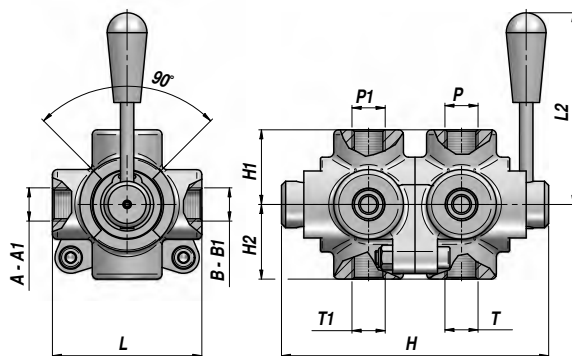
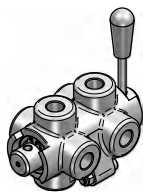
| Codice Code   | P - T BSP | A - B BSP | Q MAX l/min | P MAX bar | Tipo Type       | L  | L1 | L2  | ØG  | E    | H  | L3 | kg   |
|---------------|-----------|-----------|-------------|-----------|-----------------|----|----|-----|-----|------|----|----|------|
| V70467.C00600 | 3/8"      | 3/8"      | 60          | 300       | IDF4-C 3/8" C/C | 77 | 24 | 165 | 8.5 | 53.5 | 70 | 77 | 1,27 |
| V70467.C00800 | 1/2"      | 1/2"      | 90          | 250       | IDF4-C 1/2" C/C | 90 | 28 | 168 | 8.5 | 68.0 | 80 | 90 | 1,87 |
| V70467.C01200 | 3/4"      | 3/4"      | 120         | 250       | IDF4-C 3/4" C/C | 95 | 32 | 195 | 8.5 | 74.0 | 90 | 95 | 2,50 |

MATERIALE CORPO : GHISA  
BODY MATERIAL : CAST IRON

MONTAGGIO IN LINEA  
LINE MOUNTING

# BIDF8-A

## INVERTITORE A 8 VIE - CENTRO APERTO 8-WAY FLOW REVERSE - OPEN CENTRE



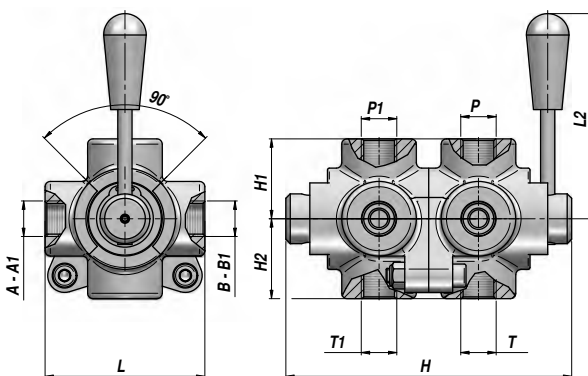
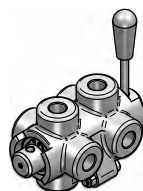
| Codice<br>Code | P - T<br>A - B<br>BSP | P1 - T1<br>A1 - B1<br>BSP | Q<br>MAX<br>l/min | P<br>MAX<br>bar | Tipo<br>Type | L  | L2  | H   | H1 | H2 | kg   |
|----------------|-----------------------|---------------------------|-------------------|-----------------|--------------|----|-----|-----|----|----|------|
| VD7867.A00600  | 3/8"                  | 3/8"                      | 60                | 320             | BIDF8-A 020  | 90 | 116 | 154 | 45 | 45 | 2,50 |

MATERIALE CORPO : GHISA  
BODY MATERIAL : CAST IRON

MONTAGGIO IN LINEA  
LINE MOUNTING

# BIDF8-C

## INVERTITORE A 8 VIE - CENTRO CHIUSO 8-WAY FLOW REVERSE - CLOSED CENTRE



| Codice<br>Code | P - T<br>A - B<br>BSP | P1 - T1<br>A1 - B1<br>BSP | Q<br>MAX<br>l/min | P<br>MAX<br>bar | Tipo<br>Type | L  | L2  | H   | H1 | H2 | kg   |
|----------------|-----------------------|---------------------------|-------------------|-----------------|--------------|----|-----|-----|----|----|------|
| VD7867.C00600  | 3/8"                  | 3/8"                      | 60                | 320             | BIDF8-C 020  | 90 | 116 | 154 | 45 | 45 | 2,50 |

MATERIALE CORPO : GHISA  
BODY MATERIAL : CAST IRON

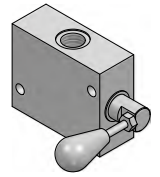
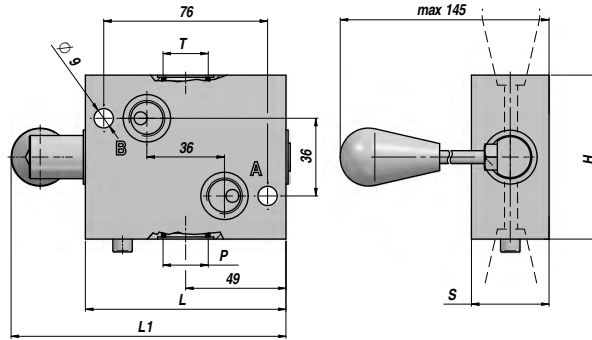
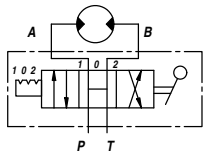
MONTAGGIO IN LINEA  
LINE MOUNTING



INVERTITORE A 4 VIE PER MOTORI "MPP-MPR-MCP-MCR" - CENTRO APERTO  
4-WAY FLOW REVERSE FOR "MPP-MPR-MCP-MCR" MOTORS - OPEN CENTRE

NEW!

BDR01



| Codice<br>Code | A - B<br>BSP | Q<br>MAX<br>l/min | P<br>MAX<br>bar | Tipo<br>Type | L  | L1<br>max | H  | S  | kg   |
|----------------|--------------|-------------------|-----------------|--------------|----|-----------|----|----|------|
| VBDR012010     | 1/2"         | 50                | 210             | BDR 12.01    | 93 | 128       | 70 | 35 | 0,76 |

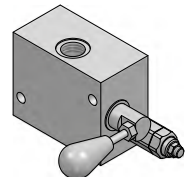
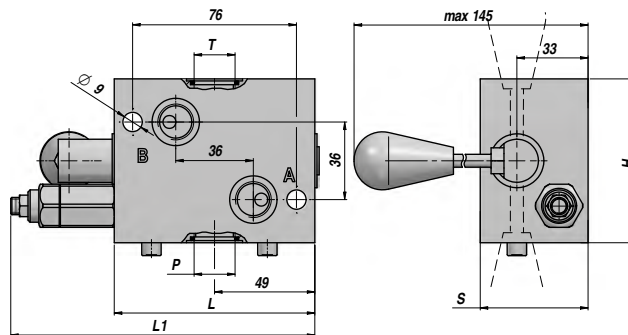
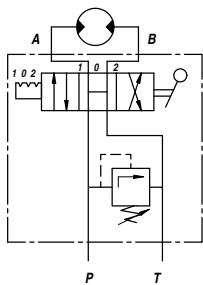
MATERIALE CORPO : ALLUMINIO  
BODY MATERIAL : ALUMINIUM

FLANGIABILE  
FACE MOUNTING

INVERTITORE A 4 VIE PER MOTORI "MPP-MPR-MCP-MCR" + V.M.P. - CENTRO APERTO  
4-WAY FLOW REVERSE FOR "MPP-MPR-MCP-MCR" MOTORS + RELIEF VALVE - OPEN CENTRE

NEW!

BDR04



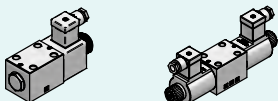
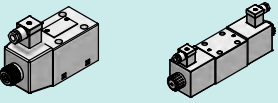
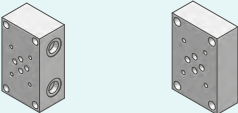
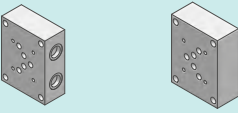
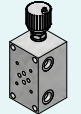
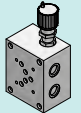
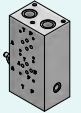
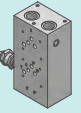
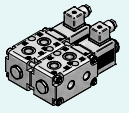
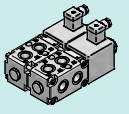
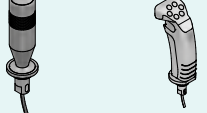
| Codice<br>Code | A - B<br>BSP | Q<br>MAX<br>l/min | P<br>MAX<br>bar | Tipo<br>Type | L  | L1<br>max | H  | S  | kg   |
|----------------|--------------|-------------------|-----------------|--------------|----|-----------|----|----|------|
| VBDR012040     | 1/2"         | 50                | 250             | BDR 12.04/25 | 93 | 150       | 70 | 50 | 1,07 |

MOLLA - SPRING: 30 : 250 bar

MATERIALE CORPO : ALLUMINIO  
BODY MATERIAL : ALUMINIUM

FLANGIABILE  
FACE MOUNTING

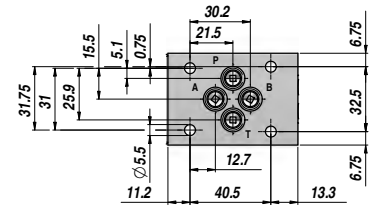
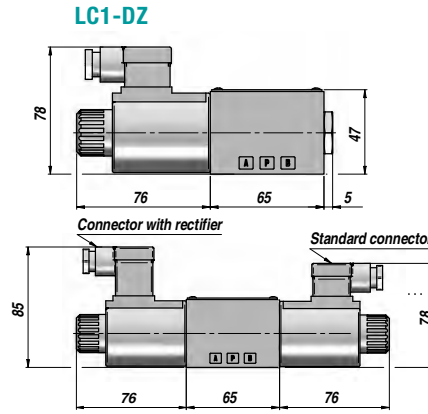
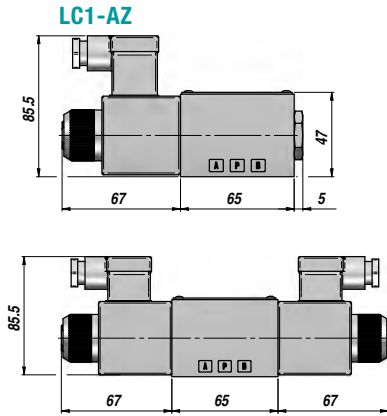
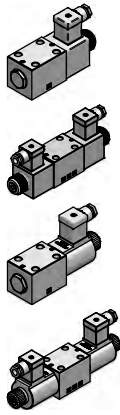
## VALVOLE DIREZIONALI ELETTRICHE E PIASTRE SOLENOID VALVES AND SUBPLATES

|   |             | Descrizione - Description   |         | Type                | Page |
|---|-------------|---|---------|---------------------|------|
|    |             | ELETTROVALVOLA A COMANDO DIRETTO<br>SOLENOID OPERATED DIRECTIONAL VALVE   | CETOP 3 | LC1                 | 282  |
|    |             | ELETTROVALVOLA A COMANDO DIRETTO<br>SOLENOID OPERATED DIRECTIONAL VALVE   | CETOP 5 | LC2                 | 283  |
|    |             | BASE SINGOLA PER ELETTROVALVOLE SENZA VMP<br>SUB-PLATE FOR SOLENOID VALVES<br>WITHOUT RELIEF VALVE                    | CETOP 3 | ES3-D-PL<br>ES3-A-P | 284  |
|    |             | BASE SINGOLA PER ELETTROVALVOLE SENZA VMP<br>SUB-PLATE FOR SOLENOID VALVES<br>WITHOUT RELIEF VALVE                    | CETOP 5 | ES5-A-PL<br>ES5-A-P | 284  |
|    |             | BASE SINGOLA PER ELETTROVALVOLE CON VMP<br>SUB-PLATE FOR SOLENOID VALVES<br>WITH RELIEF VALVE                         | CETOP 3 | ES3-B               | 285  |
|   |             | BASE SINGOLA PER ELETTROVALVOLE CON VMP<br>SUB-PLATE FOR SOLENOID VALVES<br>WITH RELIEF VALVE                         | CETOP 5 | ES5-B               | 285  |
|  | <b>NEW!</b> | BASE MULTIPLA MONOBLOCCO PER ELETTROVALVOLE<br>CON VMP<br>MULTIPLE SUB-PLATE FOR SOLENOID VALVES<br>WITH RELIEF VALVE | CETOP 3 | EM103/PX            | 286  |
|  | <b>NEW!</b> | BASE MULTIPLA MONOBLOCCO PER ELETTROVALVOLE<br>CON VMP<br>MULTIPLE SUB-PLATE FOR SOLENOID VALVES<br>WITH RELIEF VALVE | CETOP 5 | EM105/PX            | 287  |
|  |             | SELETTORE DI CIRCUITO A COMANDO ELETTRICO<br>(COMPONIBILE)<br>SOLENOID OPERATED DIVERTER VALVE<br>(MODULAR TYPE)      |         | VS 241/F            | 288  |
|  |             | SELETTORE DI CIRCUITO A COMANDO ELETTRICO<br>(COMPONIBILE)<br>SOLENOID OPERATED DIVERTER VALVE<br>(MODULAR TYPE)      |         | VS 281/F            | 288  |
|  | <b>NEW!</b> | IMPUGNATURA<br>HANDLE   |         | SX<br>MFE           | 289  |
|   |             |   |         |                     |      |
|   |             |   |         |                     |      |
|   |             |   |         |                     |      |

LC1

CETOP 3

ELETTOVALVOLA A COMANDO DIRETTO  
SOLENOID OPERATED DIRECTIONAL VALVE



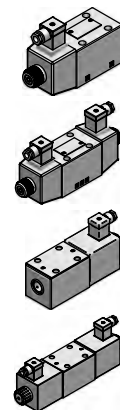
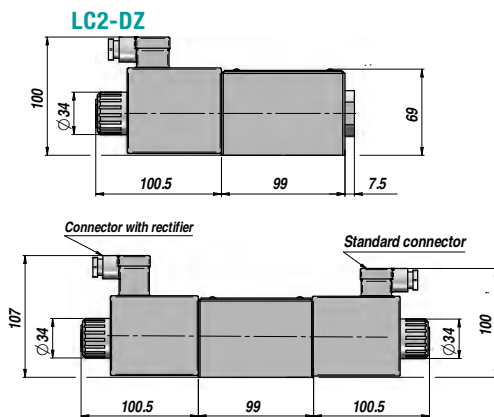
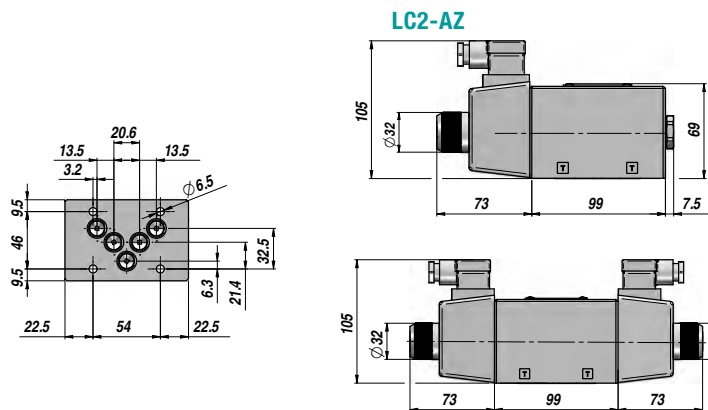
| Codice<br>Code | Tipo<br>Type | Tensione<br>Voltage | Simbolo Idraulico<br>Hydraulic Symbol | Q<br>MAX<br>l/min | P<br>MAX<br>bar | kg   |
|----------------|--------------|---------------------|---------------------------------------|-------------------|-----------------|------|
| EL10A02002450  | LC1-A201 AZ  | 24/50VAC            |                                       | 60                | 250             | 1,66 |
| EL10A02011050  | LC1-A201 AZ  | 110/50VAC           |                                       | "                 | "               | 1,66 |
| EL10A02022050  | LC1-A201 AZ  | 220/50VAC           |                                       | "                 | "               | 1,66 |
| EL10A02012VDC  | LC1-A201 DZ  | 12VDC               | <b>A201 (ex A2)</b>                   | 70                | 310             | 1,82 |
| EL10A02024VDC  | LC1-A201 DZ  | 24VDC               |                                       | "                 | "               | 1,82 |
| EL10B02002450  | LC1-B201 AZ  | 24/50VAC            |                                       | 60                | 250             | 1,66 |
| EL10B02011050  | LC1-B201 AZ  | 110/50VAC           |                                       | "                 | "               | 1,66 |
| EL10B02022050  | LC1-B201 AZ  | 220/50VAC           |                                       | "                 | "               | 1,66 |
| EL10B02012VDC  | LC1-B201 DZ  | 12VDC               |                                       | 70                | 310             | 1,82 |
| EL10B02024VDC  | LC1-B201 DZ  | 24VDC               | <b>B201 (ex B2)</b>                   | "                 | "               | 1,82 |
| EL10C02002450  | LC1-C201 AZ  | 24/50VAC            |                                       | 60                | 250             | 1,66 |
| EL10C02011050  | LC1-C201 AZ  | 110/50VAC           |                                       | "                 | "               | 1,66 |
| EL10C02022050  | LC1-C201 AZ  | 220/50VAC           |                                       | "                 | "               | 1,66 |
| EL10C02012VDC  | LC1-C201 DZ  | 12VDC               | <b>C201 (ex C2)</b>                   | 70                | 310             | 1,82 |
| EL10C02024VDC  | LC1-C201 DZ  | 24VDC               |                                       | "                 | "               | 1,82 |
| EL10E02002450  | LC1-E201 AZ  | 24/50VAC            |                                       | 60                | 250             | 1,66 |
| EL10E02011050  | LC1-E201 AZ  | 110/50VAC           |                                       | "                 | "               | 1,66 |
| EL10E02022050  | LC1-E201 AZ  | 220/50VAC           |                                       | "                 | "               | 1,66 |
| EL10E02012VDC  | LC1-E201 DZ  | 12VDC               |                                       | 70                | 310             | 1,82 |
| EL10E02024VDC  | LC1-E201 DZ  | 24VDC               | <b>E201 (ex E2)</b>                   | "                 | "               | 1,82 |
| EL10A11S02450  | LC1-A301 AZ  | 24/50VAC            |                                       | 60                | 250             | 1,25 |
| EL10A11S11050  | LC1-A301 AZ  | 110/50VAC           |                                       | "                 | "               | 1,25 |
| EL10A11S22050  | LC1-A301 AZ  | 220/50VAC           |                                       | "                 | "               | 1,25 |
| EL10A11S12VDC  | LC1-A301 DZ  | 12VDC               | <b>A301 (ex A11S)</b>                 | 70                | 310             | 1,33 |
| EL10A11S24VDC  | LC1-A301 DZ  | 24VDC               |                                       | "                 | "               | 1,33 |
| EL10A11C02450  | LC1-Y301 AZ  | 24/50VAC            |                                       | 60                | 250             | 1,25 |
| EL10A11C11050  | LC1-Y301 AZ  | 110/50VAC           |                                       | "                 | "               | 1,25 |
| EL10A11C22050  | LC1-Y301 AZ  | 220/50VAC           |                                       | "                 | "               | 1,25 |
| EL10A11C12VDC  | LC1-Y301 DZ  | 12VDC               |                                       | 70                | 310             | 1,33 |
| EL10A11C24VDC  | LC1-Y301 DZ  | 24VDC               | <b>Y301 (ex A11C)</b>                 | "                 | "               | 1,33 |
| EL10B11C02450  | LC1-B301 AZ  | 24/50VAC            |                                       | 60                | 250             | 1,25 |
| EL10B11C11050  | LC1-B301 AZ  | 110/50VAC           |                                       | "                 | "               | 1,25 |
| EL10B11C22050  | LC1-B301 AZ  | 220/50VAC           |                                       | "                 | "               | 1,25 |
| EL10B11C12VDC  | LC1-B301 DZ  | 12VDC               | <b>B301 (ex B11C)</b>                 | 70                | 310             | 1,33 |
| EL10B11C24VDC  | LC1-B301 DZ  | 24VDC               |                                       | "                 | "               | 1,33 |
| EL10C11A02450  | LC1-C301 AZ  | 24/50VAC            |                                       | 60                | 250             | 1,25 |
| EL10C11A11050  | LC1-C301 AZ  | 110/50VAC           |                                       | "                 | "               | 1,25 |
| EL10C11A22050  | LC1-C301 AZ  | 220/50VAC           |                                       | "                 | "               | 1,25 |
| EL10C11A12VDC  | LC1-C301 DZ  | 12VDC               |                                       | 70                | 310             | 1,33 |
| EL10C11A24VDC  | LC1-C301 DZ  | 24VDC               | <b>C301 (ex C11A)</b>                 | "                 | "               | 1,33 |

A RICHIESTA - ON REQUEST: VALVOLE MODULARI PER ELETTOVALVOLE CETOP 3 - MODULAR VALVES FOR SOLENOID OPERATED DIRECTIONAL VALVES CETOP 3

ELETTROVALVOLA A COMANDO DIRETTO  
SOLENOID OPERATED DIRECTIONAL VALVE

CETOP 5

LC2

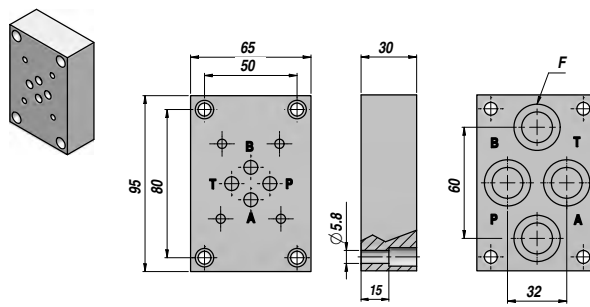
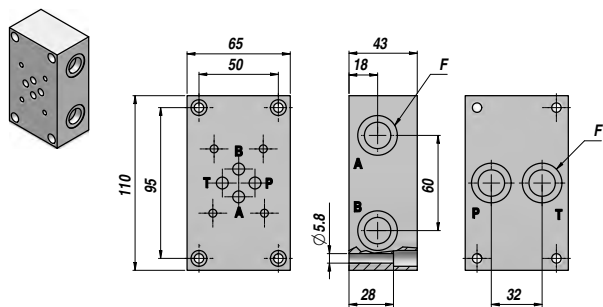


| Codice Code   | Tipo Type   | Tensione Voltage | Simbolo Idraulico Hydraulic Symbol | Q MAX l/min         | P MAX bar | kg   |
|---------------|-------------|------------------|------------------------------------|---------------------|-----------|------|
| EL20A02002450 | LC2-A201 AZ | 24/50VAC         | <p>A201 (ex A2)</p>                | 100                 | 310       | 4,10 |
| EL20A02011050 | LC2-A201 AZ | 110/50VAC        |                                    | "                   | "         | 4,10 |
| EL20A02022050 | LC2-A201 AZ | 220/50VAC        |                                    | "                   | "         | 4,10 |
| EL20A02012VDC | LC2-A201 DZ | 12VDC            |                                    | 120                 | "         | 5,10 |
| EL20A02024VDC | LC2-A201 DZ | 24VDC            |                                    | "                   | "         | 5,10 |
| EL20B02011050 | LC2-B201 AZ | 110/50VAC        | <p>B201 (ex B2)</p>                | 100                 | 310       | 4,10 |
| EL20B02022050 | LC2-B201 AZ | 220/50VAC        |                                    | "                   | "         | 4,10 |
| EL20B02012VDC | LC2-B201 DZ | 12VDC            |                                    | 120                 | "         | 5,10 |
| EL20B02024VDC | LC2-B201 DZ | 24VDC            |                                    | "                   | "         | 5,10 |
| EL20C02002450 | LC2-C201 AZ | 24/50VAC         |                                    | <p>C201 (ex C2)</p> | 100       | 310  |
| EL20C02011050 | LC2-C201 AZ | 110/50VAC        | "                                  |                     | "         | 4,10 |
| EL20C02022050 | LC2-C201 AZ | 220/50VAC        | "                                  |                     | "         | 4,10 |
| EL20C02012VDC | LC2-C201 DZ | 12VDC            | 120                                |                     | "         | 5,10 |
| EL20C02024VDC | LC2-C201 DZ | 24VDC            | "                                  |                     | "         | 5,10 |
| EL20E02011050 | LC2-E201 AZ | 110/50VAC        | <p>E201 (ex E2)</p>                | 100                 | 310       | 4,10 |
| EL20E02012VDC | LC2-E201 DZ | 12VDC            |                                    | 120                 | "         | 5,10 |
| EL20E02024VDC | LC2-E201 DZ | 24VDC            |                                    | "                   | "         | 5,10 |
| EL20A11S12VDC | LC2-A301 DZ | 12VDC            | <p>A301 (ex A11S)</p>              | 120                 | 310       | 4,00 |
| EL20A11S24VDC | LC2-A301 DZ | 24VDC            |                                    | "                   | "         | 4,00 |
| EL20A11C02450 | LC2-Y301 AZ | 24/50VAC         | <p>Y301 (ex A11C)</p>              | 100                 | 310       | 3,30 |
| EL20A11C11050 | LC2-Y301 AZ | 110/50VAC        |                                    | "                   | "         | 3,30 |
| EL20A11C22050 | LC2-Y301 AZ | 220/50VAC        |                                    | "                   | "         | 3,30 |
| EL20A11C12VDC | LC2-Y301 DZ | 12VDC            |                                    | 120                 | "         | 4,00 |
| EL20A11C24VDC | LC2-Y301 DZ | 24VDC            |                                    | "                   | "         | 4,00 |
| EL20B11C22050 | LC2-B301 AZ | 220/50VAC        | <p>B301 (ex B11C)</p>              | 100                 | 310       | 3,30 |
| EL20B11C12VDC | LC2-B301 DZ | 12VDC            |                                    | 120                 | "         | 4,00 |
| EL20B11C24VDC | LC2-B301 DZ | 24VDC            |                                    | "                   | "         | 4,00 |
| EL20C11A11050 | LC2-C301 AZ | 110/50VAC        | <p>C301 (ex C11A)</p>              | 100                 | 310       | 3,30 |
| EL20C11A22050 | LC2-C301 AZ | 220/50VAC        |                                    | "                   | "         | 3,30 |
| EL20C11A12VDC | LC2-C301 DZ | 12VDC            |                                    | 120                 | "         | 4,00 |
| EL20C11A24VDC | LC2-C301 DZ | 24VDC            |                                    | "                   | "         | 4,00 |

A RICHIESTA - ON REQUEST: VALVOLE MODULARI PER ELETTROVALVOLE CETOP 5 - MODULAR VALVES FOR SOLENOID OPERATED DIRECTIONAL VALVES CETOP 5

**ES3-D-PL** **ES3-A-P** CETOP 3

BASE PER ELETTROVALVOLE SENZA VMP  
SUB-PLATE FOR SOLENOID VALVES WITHOUT RELIEF VALVE



| Codice<br>Code | Tipo<br>Type | F<br>BSP | kg   |
|----------------|--------------|----------|------|
| EV95050005     | ES3-D-38-PL  | 3/8"     | 1,80 |
|                |              |          |      |
|                |              |          |      |
|                |              |          |      |

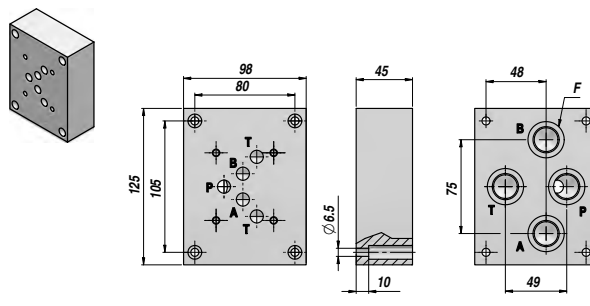
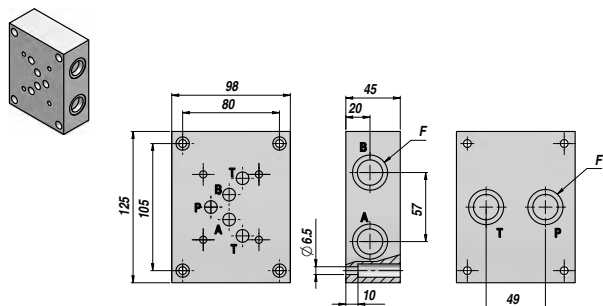
MATERIALE : GHISA  
MATERIAL : CAST IRON

| Codice<br>Code | Tipo<br>Type | F<br>BSP | kg   |
|----------------|--------------|----------|------|
| EV95050003     | ES3-A-38-P   | 3/8"     | 1,00 |
|                |              |          |      |
|                |              |          |      |
|                |              |          |      |

MATERIALE : GHISA  
MATERIAL : CAST IRON

**ES5-A-PL** **ES5-A-P** CETOP 5

BASE PER ELETTROVALVOLE SENZA VMP  
SUB-PLATE FOR SOLENOID VALVES WITHOUT RELIEF VALVE



| Codice<br>Code | Tipo<br>Type | F<br>BSP | kg   |
|----------------|--------------|----------|------|
| EV95070005     | ES5-A-12-PL  | 1/2"     | 3,50 |
|                |              |          |      |
|                |              |          |      |
|                |              |          |      |

MATERIALE : GHISA  
MATERIAL : CAST IRON

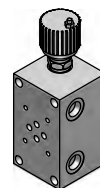
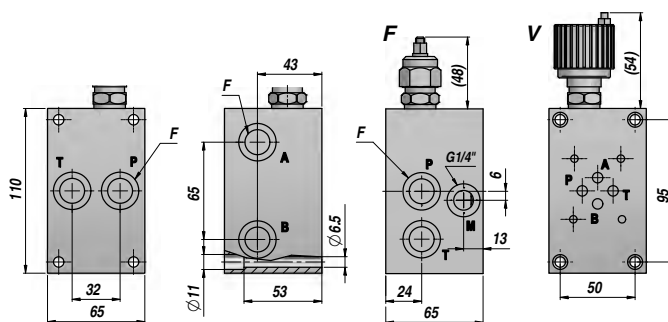
| Codice<br>Code | Tipo<br>Type | F<br>BSP | kg   |
|----------------|--------------|----------|------|
| EV95070001     | ES5-A-12-P   | 1/2"     | 3,50 |
|                |              |          |      |
|                |              |          |      |
|                |              |          |      |

MATERIALE : GHISA  
MATERIAL : CAST IRON

A RICHIESTA - ON REQUEST:  
BASI SINGOLE PER ELETTROVALVOLE CETOP 7 E CETOP 8 - SUB-PLATES FOR SOLENOID VALVES CETOP 7 AND CETOP 8

BASE PER ELETTROVALVOLE CONVMP  
SUB-PLATE FOR SOLENOID VALVES WITH RELIEF VALVE

CETOP 3 **ES3-B**



| Codice<br>Code | Tipo<br>Type  | F<br>BSP | kg   |
|----------------|---------------|----------|------|
| EV95050024     | ES3-B-38-X.3F | 3/8"     | 3,00 |
| EV95050014     | ES3-B-38-X.3V | 3/8"     | 3,00 |
|                |               |          |      |
|                |               |          |      |

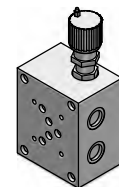
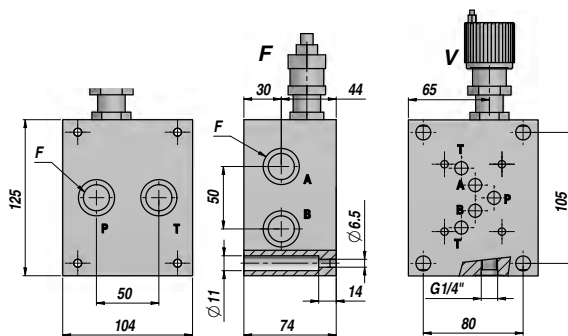
| CAMPO DI TARATURA<br>SETTING RANGE       |
|--|
| X.0F - X.0V : 5 - 50 bar                 |
| X.1F - X.1V : 30 - 100 bar               |
| X.2F - X.2V : 50 - 210 bar               |
| X.3F - X.3V : 100 - 350 bar ( Standard ) |
|  |
|  |

MATERIALE : GHISA  
MATERIAL : CAST IRON

REGOLAZIONE - SETTING : F = A CHIAVE - BY KEY V = A VOLANTINO - BY KNOB

BASE PER ELETTROVALVOLE CONVMP  
SUB-PLATE FOR SOLENOID VALVES WITH RELIEF VALVE

CETOP 5 **ES5-B**



| Codice<br>Code | Tipo<br>Type  | F<br>BSP | kg   |
|----------------|---------------|----------|------|
| EV95070012     | ES5-B-12-X.3F | 1/2"     | 7,00 |
| EV95070015     | ES5-B-12-X.3V | 1/2"     | 7,00 |
|                |               |          |      |
|                |               |          |      |

| CAMPO DI TARATURA<br>SETTING RANGE      |
|---|
| X.1F - X.1V : 5 - 60 bar                |
| X.2F - X.2V : 35 - 120 bar              |
| X.3F - X.3V : 80 - 300 bar ( Standard ) |
|   |
|   |

MATERIALE : GHISA  
MATERIAL : CAST IRON

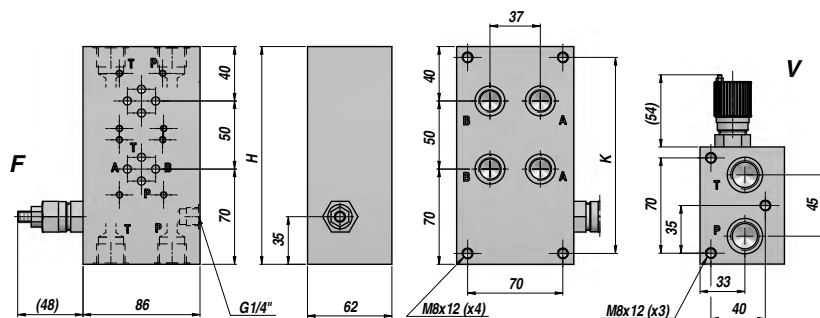
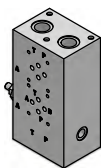
REGOLAZIONE - SETTING : F = A CHIAVE - BY KEY V = A VOLANTINO - BY KNOB

EM103/PX

**NEW!** CETOP 3

BASE MULTIPLA MONOBLOCCO PER ELETTROVALVOLE CON VMP  
MULTIPLE SUB-PLATE FOR SOLENOID VALVES WITH RELIEF VALVE

VERSIONE IN PARALLELO  
PARALLEL VERSION



| Code<br>Codice | Type<br>Tipo      | Positions No.<br>N° posizioni | A - B<br>BSP | P - T<br>BSP | H   | K   | kg    |
|----------------|-------------------|-------------------------------|--------------|--------------|-----|-----|-------|
| EM1030138PX3F  | EM103/ 1.38P.X.3F | 1                             | 3/8"         | 1/2"         | 110 | 94  | 3,40  |
| EM1030238PX3F  | EM103/ 2.38P.X.3F | 2                             |              |              | 160 | 144 | 4,80  |
| EM1030338PX3F  | EM103/ 3.38P.X.3F | 3                             |              |              | 210 | 194 | 6,20  |
| EM1030438PX3F  | EM103/ 4.38P.X.3F | 4                             |              |              | 260 | 244 | 7,60  |
| EM1030538PX3F  | EM103/ 5.38P.X.3F | 5                             |              |              | 310 | 294 | 9,00  |
| EM1030638PX3F  | EM103/ 6.38P.X.3F | 6                             |              |              | 360 | 344 | 10,40 |
| EM1030738PX3F  | EM103/ 7.38P.X.3F | 7                             |              |              | 410 | 394 | 11,80 |
| EM1030838PX3F  | EM103/ 8.38P.X.3F | 8                             |              |              | 460 | 444 | 13,20 |
| EM1030938PX3F  | EM103/ 9.38P.X.3F | 9                             |              |              | 510 | 494 | 14,60 |
| EM1031038PX3F  | EM103/10.38P.X.3F | 10                            |              |              | 560 | 544 | 16,00 |
| EM1031138PX3F  | EM103/11.38P.X.3F | 11                            |              |              | 610 | 594 | 17,40 |

CAMPO DI TARATURA - SETTING RANGE :

X.0 : 5 - 50 bar - X.1 : 30 - 100 bar - X.2 : 50 - 210 bar - X.3 : 100 - 350 bar ( Standard )

REGOLAZIONE - SETTING : **F = A CHIAVE - BY KEY ( Standard )** **V = A VOLANTINO - BY KNOB**

MATERIALE : GHISA  
MATERIAL : CAST IRON

A RICHIESTA EM103/..PY : PIASTRA MULTIPLA DI MONTAGGIO PER ELETTROVALVOLE CETOP 3 SENZA VMP - Versione in parallelo  
ON REQUEST EM103/..PY : MULTIPLE SUB-PLATE FOR CETOP 3 SOLENOID VALVES WITHOUT RELIEF VALVE - Parallel version

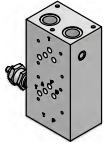
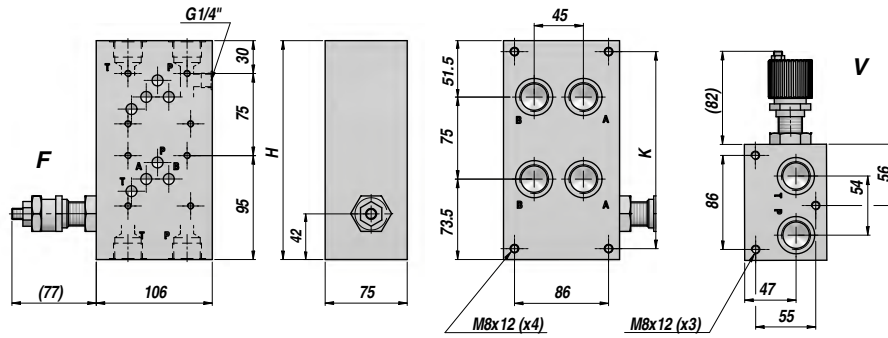
BASE MULTIPLA PER ELETTROVALVOLE CON VMP  
 MULTIPLE SUB-PLATE FOR SOLENOID VALVES WITH RELIEF VALVE

CETOP 5

NEW!

EM105/PX

VERSIONE IN PARALLELO  
 PARALLEL VERSION



| Codice<br>Code | Tipo<br>Type    | N° posizioni<br>Positions No. | A - B<br>BSP | P - T<br>BSP | H   | K   | kg    |
|----------------|-----------------|-------------------------------|--------------|--------------|-----|-----|-------|
| EM1050134PX3F  | EM105/1.34.X.3F | 1                             |              |              | 125 | 105 | 7,00  |
| EM1050234PX3F  | EM105/2.34.X.3F | 2                             |              |              | 200 | 180 | 11,00 |
| EM1050334PX3F  | EM105/3.34.X.3F | 3                             |              |              | 275 | 255 | 15,00 |
| EM1050434PX3F  | EM105/4.34.X.3F | 4                             | 3/4"         | 3/4"         | 350 | 330 | 19,00 |
| EM1050534PX3F  | EM105/5.34.X.3F | 5                             |              |              | 425 | 405 | 23,00 |
| EM1050634PX3F  | EM105/6.34.X.3F | 6                             |              |              | 500 | 480 | 26,00 |
| EM1050734PX3F  | EM105/7.34.X.3F | 7                             |              |              | 575 | 555 | 29,00 |

CAMPO DI TARATURA - SETTING RANGE :

X.1 : 5 - 60 bar - X.2 : 35 - 120 bar - X.3 : 80 - 270 bar ( Standard )

REGOLAZIONE - SETTING : F = A CHIAVE - BY KEY ( Standard ) V = A VOLANTINO - BY KNOB

MATERIALE : GHISA  
 MATERIAL : CAST IRON

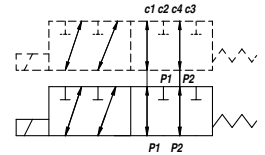
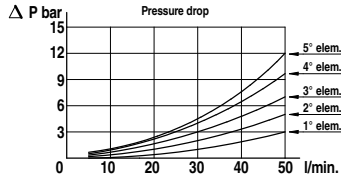
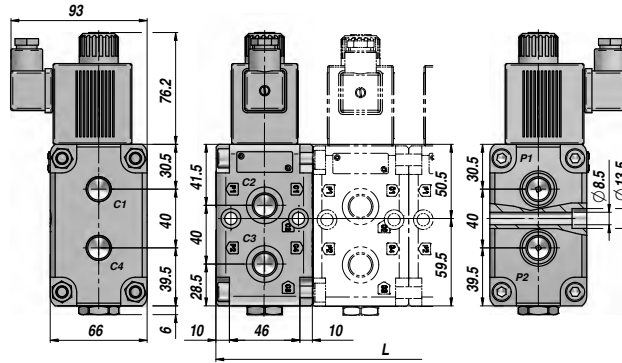
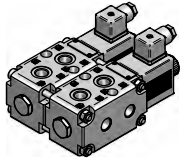
A RICHIESTA EM105/.Y : PIASTRA MULTIPLA DI MONTAGGIO PER ELETTROVALVOLE CETOP 5 SENZA VMP- Versione in parallelo  
 ON REQUEST EM105/.Y : MULTIPLE SUB-PLATE FOR CETOP 5 SOLENOID VALVES WITHOUT RELIEF VALVE - Parallel version



# VS 241/F

## SELETTORE DI CIRCUITO A COMANDO ELETTRICO (COMPONIBILE) SOLENOID OPERATED DIVERTER VALVE (MODULAR TYPE)

DRENAGGIO INTERNO  
INTERNAL DRAIN



| Codice Code   | Codice Code   | Tipo Type                     | N° Elementi Elements no. | Vie Ports | P1 - P2<br>C1 - C4<br>C2 - C3 | Q MAX l/min | P MAX bar | L   | kg    |
|---------------|---------------|-------------------------------|--------------------------|-----------|-------------------------------|-------------|-----------|-----|-------|
| 12 VDC        | 24 VDC        |                               |                          |           | BSP                           |             |           |     |       |
| ELVSF240112DC | ELVSF240124DC | VS241/F1-3/8"DZ-6B-DI-*-DIN-N | 1                        | 6         | 3/8"                          | 50          | 250       | 66  | 3,35  |
| ELVSF240212DC | ELVSF240224DC | VS241/F2-3/8"DZ-6B-DI-*-DIN-N | 2                        | 8         | 3/8"                          | 50          | 250       | 132 | 6,70  |
| ELVSF240312DC | ELVSF240324DC | VS241/F3-3/8"DZ-6B-DI-*-DIN-N | 3                        | 10        | 3/8"                          | 50          | 250       | 198 | 10,05 |
| ELVSF240412DC | ELVSF240424DC | VS241/F4-3/8"DZ-6B-DI-*-DIN-N | 4                        | 12        | 3/8"                          | 50          | 250       | 264 | 13,40 |

\*12DC= V12DC 24DC= V24DC

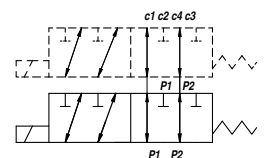
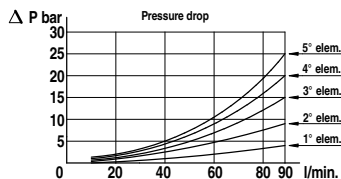
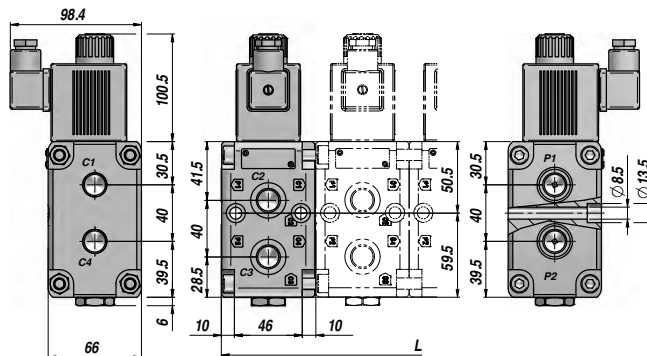
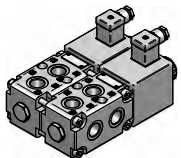
A RICHIESTA : DRENAGGIO ESTERNO P MAX.: 310 bar

ON REQUEST : EXTERNAL DRAIN P MAX.: 310 bar

# VS 281/F

## SELETTORE DI CIRCUITO A COMANDO ELETTRICO (COMPONIBILE) SOLENOID OPERATED DIVERTER VALVE (MODULAR TYPE)

DRENAGGIO INTERNO  
INTERNAL DRAIN



| Codice Code   | Codice Code   | Tipo Type                     | N° Elementi Elements no. | Vie Ports | P1 - P2<br>C1 - C4<br>C2 - C3 | Q MAX l/min | P MAX bar | L   | kg    |
|---------------|---------------|-------------------------------|--------------------------|-----------|-------------------------------|-------------|-----------|-----|-------|
| 12 VDC        | 24 VDC        |                               |                          |           | BSP                           |             |           |     |       |
| ELVSF280112DC | ELVSF280124DC | VS281/F1-3/8"DZ-6B-DI-*-DIN-N | 1                        | 6         | 1/2"                          | 90          | 250       | 66  | 4,15  |
| ELVSF280212DC | ELVSF280224DC | VS281/F2-3/8"DZ-6B-DI-*-DIN-N | 2                        | 8         | 1/2"                          | 90          | 250       | 132 | 8,30  |
| ELVSF280312DC |               | VS281/F3-3/8"DZ-6B-DI-*-DIN-N | 3                        | 10        | 1/2"                          | 90          | 250       | 198 | 12,45 |
| ELVSF280412DC |               | VS281/F4-3/8"DZ-6B-DI-*-DIN-N | 4                        | 12        | 1/2"                          | 90          | 250       | 264 | 16,60 |

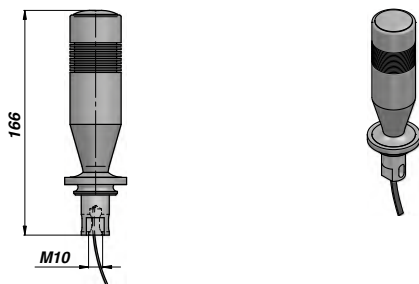
\*12DC= V12DC 24DC= V24DC

A RICHIESTA : DRENAGGIO ESTERNO P MAX.: 310 bar

ON REQUEST : EXTERNAL DRAIN P MAX.: 310 bar

IMPUGNATURA DIRITTA  
STRAIGHT HANDLE

NEW! SX

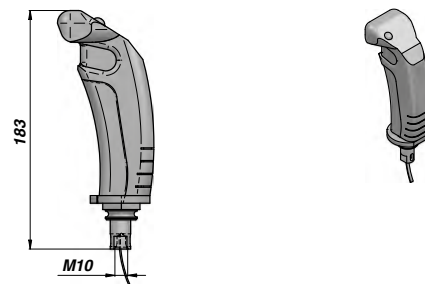


| Codice Code | Tipo Type | Pulsante Button | Volt max | Corrente Current | kg   |
|-------------|-----------|-----------------|----------|------------------|------|
| EDGSX12331  | SX-PR SVC | 1               | 250 DC   | max. 16A         | 0,15 |

PROTEZIONE - PROTECTION : IP54

IMPUGNATURA ERGONOMICA  
ERGONOMIC HANDLE

NEW! MFE-E1

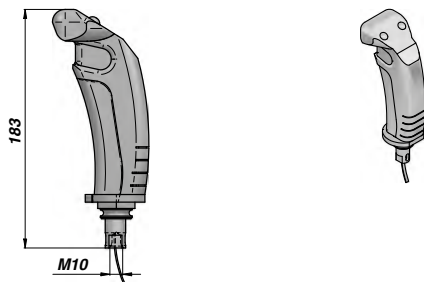


| Codice Code | Tipo Type | Pulsante Button | Volt max | Corrente Current | kg   |
|-------------|-----------|-----------------|----------|------------------|------|
| EDHLVPCED1  | MFE-E-1P  | 1               | 30 DC    | max. 3A          | 0,18 |

PROTEZIONE - PROTECTION : IP67

IMPUGNATURA ERGONOMICA  
ERGONOMIC HANDLE

NEW! MFE-E2

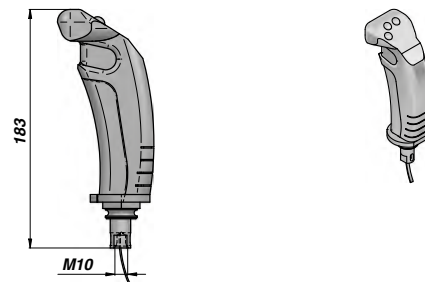


| Codice Code | Tipo Type | Pulsante Button | Volt max | Corrente Current | kg   |
|-------------|-----------|-----------------|----------|------------------|------|
| EDHLVPCED2  | MFE-E-2P  | 2               | 30 DC    | max. 3A          | 0,18 |

PROTEZIONE - PROTECTION : IP67

IMPUGNATURA ERGONOMICA  
ERGONOMIC HANDLE

NEW! MFE-E3

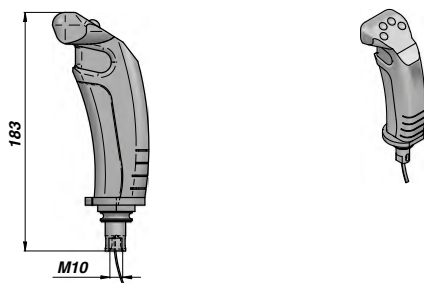


| Codice Code | Tipo Type | Pulsante Button | Volt max | Corrente Current | kg   |
|-------------|-----------|-----------------|----------|------------------|------|
| EDHLVPCED3  | MFE-E-3P  | 3               | 30 DC    | max. 3A          | 0,18 |

PROTEZIONE - PROTECTION : IP67

IMPUGNATURA ERGONOMICA  
ERGONOMIC HANDLE

NEW! MFE-E4

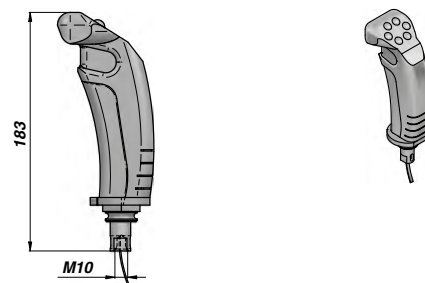


| Codice Code | Tipo Type | Pulsante Button | Volt max | Corrente Current | kg   |
|-------------|-----------|-----------------|----------|------------------|------|
| EDHLVPCED4  | MFE-E-4P  | 4               | 30 DC    | max. 3A          | 0,18 |

PROTEZIONE - PROTECTION : IP67

IMPUGNATURA ERGONOMICA  
ERGONOMIC HANDLE

NEW! MFE-E6



| Codice Code | Tipo Type | Pulsante Button | Volt max | Corrente Current | kg   |
|-------------|-----------|-----------------|----------|------------------|------|
| EDHLVPCED6  | MFE-E-6P  | 6               | 30 DC    | max. 3A          | 0,18 |

PROTEZIONE - PROTECTION : IP67