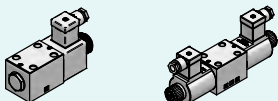
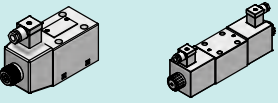
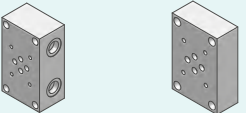
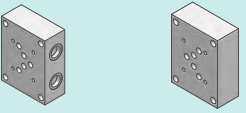
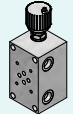
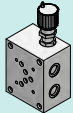
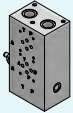
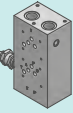
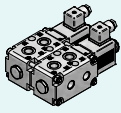
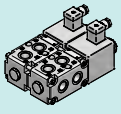
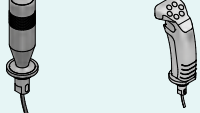


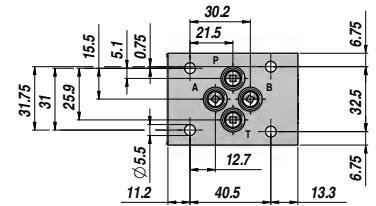
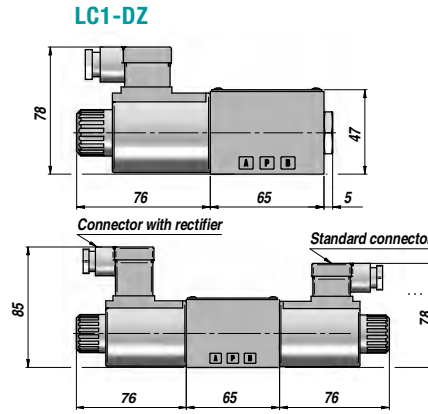
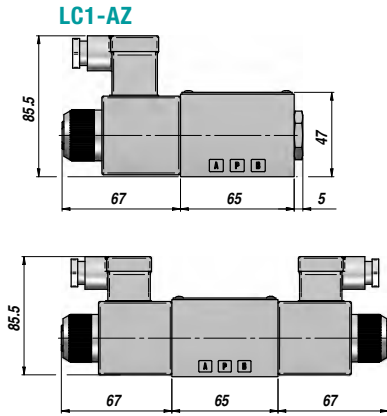
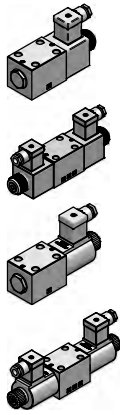
VALVOLE DIREZIONALI ELETTRICHE E PIASTRE SOLENOID VALVES AND SUBPLATES

		Descrizione - Description		Type	Page
		ELETTRORVALVOLA A COMANDO DIRETTO SOLENOID OPERATED DIRECTIONAL VALVE	CETOP 3	LC1	282
		ELETTRORVALVOLA A COMANDO DIRETTO SOLENOID OPERATED DIRECTIONAL VALVE	CETOP 5	LC2	283
		BASE SINGOLA PER ELETTRORVALVOLE SENZA VMP SUB-PLATE FOR SOLENOID VALVES WITHOUT RELIEF VALVE	CETOP 3	ES3-D-PL ES3-A-P	284
		BASE SINGOLA PER ELETTRORVALVOLE SENZA VMP SUB-PLATE FOR SOLENOID VALVES WITHOUT RELIEF VALVE	CETOP 5	ES5-A-PL ES5-A-P	284
		BASE SINGOLA PER ELETTRORVALVOLE CON VMP SUB-PLATE FOR SOLENOID VALVES WITH RELIEF VALVE	CETOP 3	ES3-B	285
		BASE SINGOLA PER ELETTRORVALVOLE CON VMP SUB-PLATE FOR SOLENOID VALVES WITH RELIEF VALVE	CETOP 5	ES5-B	285
	NEW!	BASE MULTIPLA MONOBLOCCO PER ELETTRORVALVOLE CON VMP MULTIPLE SUB-PLATE FOR SOLENOID VALVES WITH RELIEF VALVE	CETOP 3	EM103/PX	286
	NEW!	BASE MULTIPLA MONOBLOCCO PER ELETTRORVALVOLE CON VMP MULTIPLE SUB-PLATE FOR SOLENOID VALVES WITH RELIEF VALVE	CETOP 5	EM105/PX	287
		SELETTORE DI CIRCUITO A COMANDO ELETTRICO (COMPONIBILE) SOLENOID OPERATED DIVERTER VALVE (MODULAR TYPE)		VS 241/F	288
		SELETTORE DI CIRCUITO A COMANDO ELETTRICO (COMPONIBILE) SOLENOID OPERATED DIVERTER VALVE (MODULAR TYPE)		VS 281/F	288
	NEW!	IMPUGNATURA HANDLE		SX MFE	289

LC1

CETOP 3

ELETTOVALVOLA A COMANDO DIRETTO
SOLENOID OPERATED DIRECTIONAL VALVE



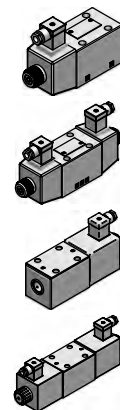
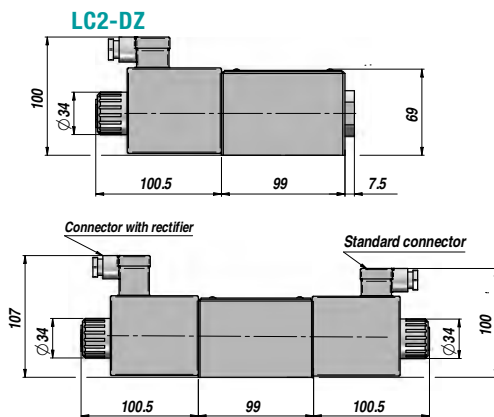
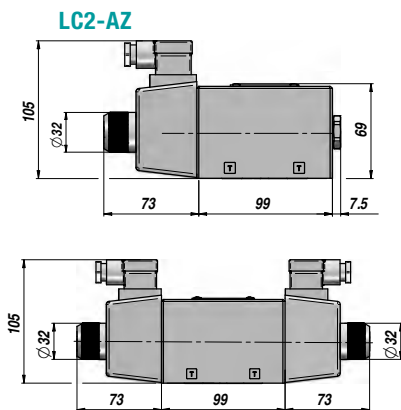
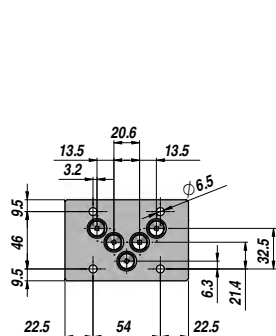
Codice Code	Tipo Type	Tensione Voltage	Simbolo Idraulico Hydraulic Symbol	Q MAX l/min	P MAX bar	kg
EL10A02002450	LC1-A201 AZ	24/50VAC		60	250	1,66
EL10A02011050	LC1-A201 AZ	110/50VAC		"	"	1,66
EL10A02022050	LC1-A201 AZ	220/50VAC		"	"	1,66
EL10A02012VDC	LC1-A201 DZ	12VDC	A201 (ex A2)	70	310	1,82
EL10A02024VDC	LC1-A201 DZ	24VDC		"	"	1,82
EL10B02002450	LC1-B201 AZ	24/50VAC		60	250	1,66
EL10B02011050	LC1-B201 AZ	110/50VAC		"	"	1,66
EL10B02022050	LC1-B201 AZ	220/50VAC		"	"	1,66
EL10B02012VDC	LC1-B201 DZ	12VDC		70	310	1,82
EL10B02024VDC	LC1-B201 DZ	24VDC	B201 (ex B2)	"	"	1,82
EL10C02002450	LC1-C201 AZ	24/50VAC		60	250	1,66
EL10C02011050	LC1-C201 AZ	110/50VAC		"	"	1,66
EL10C02022050	LC1-C201 AZ	220/50VAC		"	"	1,66
EL10C02012VDC	LC1-C201 DZ	12VDC	C201 (ex C2)	70	310	1,82
EL10C02024VDC	LC1-C201 DZ	24VDC		"	"	1,82
EL10E02002450	LC1-E201 AZ	24/50VAC		60	250	1,66
EL10E02011050	LC1-E201 AZ	110/50VAC		"	"	1,66
EL10E02022050	LC1-E201 AZ	220/50VAC		"	"	1,66
EL10E02012VDC	LC1-E201 DZ	12VDC		70	310	1,82
EL10E02024VDC	LC1-E201 DZ	24VDC	E201 (ex E2)	"	"	1,82
EL10A11S02450	LC1-A301 AZ	24/50VAC		60	250	1,25
EL10A11S11050	LC1-A301 AZ	110/50VAC		"	"	1,25
EL10A11S22050	LC1-A301 AZ	220/50VAC		"	"	1,25
EL10A11S12VDC	LC1-A301 DZ	12VDC	A301 (ex A11S)	70	310	1,33
EL10A11S24VDC	LC1-A301 DZ	24VDC		"	"	1,33
EL10A11C02450	LC1-Y301 AZ	24/50VAC		60	250	1,25
EL10A11C11050	LC1-Y301 AZ	110/50VAC		"	"	1,25
EL10A11C22050	LC1-Y301 AZ	220/50VAC		"	"	1,25
EL10A11C12VDC	LC1-Y301 DZ	12VDC		70	310	1,33
EL10A11C24VDC	LC1-Y301 DZ	24VDC	Y301 (ex A11C)	"	"	1,33
EL10B11C02450	LC1-B301 AZ	24/50VAC		60	250	1,25
EL10B11C11050	LC1-B301 AZ	110/50VAC		"	"	1,25
EL10B11C22050	LC1-B301 AZ	220/50VAC		"	"	1,25
EL10B11C12VDC	LC1-B301 DZ	12VDC	B301 (ex B11C)	70	310	1,33
EL10B11C24VDC	LC1-B301 DZ	24VDC		"	"	1,33
EL10C11A02450	LC1-C301 AZ	24/50VAC		60	250	1,25
EL10C11A11050	LC1-C301 AZ	110/50VAC		"	"	1,25
EL10C11A22050	LC1-C301 AZ	220/50VAC		"	"	1,25
EL10C11A12VDC	LC1-C301 DZ	12VDC		70	310	1,33
EL10C11A24VDC	LC1-C301 DZ	24VDC	C301 (ex C11A)	"	"	1,33

A RICHIESTA - ON REQUEST: VALVOLE MODULARI PER ELETTOVALVOLE CETOP 3 - MODULAR VALVES FOR SOLENOID OPERATED DIRECTIONAL VALVES CETOP 3

ELETTROVALVOLA A COMANDO DIRETTO
SOLENOID OPERATED DIRECTIONAL VALVE

CETOP 5

LC2

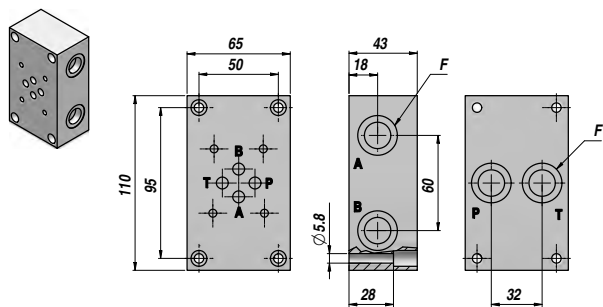


Codice Code	Tipo Type	Tensione Voltage	Simbolo Idraulico Hydraulic Symbol	Q MAX l/min	P MAX bar	kg
EL20A02002450	LC2-A201 AZ	24/50VAC	<p>A201 (ex A2)</p>	100	310	4,10
EL20A02011050	LC2-A201 AZ	110/50VAC		"	"	4,10
EL20A02022050	LC2-A201 AZ	220/50VAC		"	"	4,10
EL20A02012VDC	LC2-A201 DZ	12VDC		120	"	5,10
EL20A02024VDC	LC2-A201 DZ	24VDC		"	"	5,10
EL20B02011050	LC2-B201 AZ	110/50VAC	<p>B201 (ex B2)</p>	100	310	4,10
EL20B02022050	LC2-B201 AZ	220/50VAC		"	"	4,10
EL20B02012VDC	LC2-B201 DZ	12VDC		120	"	5,10
EL20B02024VDC	LC2-B201 DZ	24VDC		"	"	5,10
EL20C02002450	LC2-C201 AZ	24/50VAC		<p>C201 (ex C2)</p>	100	310
EL20C02011050	LC2-C201 AZ	110/50VAC	"		"	4,10
EL20C02022050	LC2-C201 AZ	220/50VAC	"		"	4,10
EL20C02012VDC	LC2-C201 DZ	12VDC	120		"	5,10
EL20C02024VDC	LC2-C201 DZ	24VDC	"		"	5,10
EL20E02011050	LC2-E201 AZ	110/50VAC	<p>E201 (ex E2)</p>	100	310	4,10
EL20E02012VDC	LC2-E201 DZ	12VDC		120	"	5,10
EL20E02024VDC	LC2-E201 DZ	24VDC		"	"	5,10
EL20A11S12VDC	LC2-A301 DZ	12VDC	<p>A301 (ex A11S)</p>	120	310	4,00
EL20A11S24VDC	LC2-A301 DZ	24VDC		"	"	4,00
EL20A11C02450	LC2-Y301 AZ	24/50VAC	<p>Y301 (ex A11C)</p>	100	310	3,30
EL20A11C11050	LC2-Y301 AZ	110/50VAC		"	"	3,30
EL20A11C22050	LC2-Y301 AZ	220/50VAC		"	"	3,30
EL20A11C12VDC	LC2-Y301 DZ	12VDC		120	"	4,00
EL20A11C24VDC	LC2-Y301 DZ	24VDC		"	"	4,00
EL20B11C22050	LC2-B301 AZ	220/50VAC	<p>B301 (ex B11C)</p>	100	310	3,30
EL20B11C12VDC	LC2-B301 DZ	12VDC		120	"	4,00
EL20B11C24VDC	LC2-B301 DZ	24VDC		"	"	4,00
EL20C11A11050	LC2-C301 AZ	110/50VAC	<p>C301 (ex C11A)</p>	100	310	3,30
EL20C11A22050	LC2-C301 AZ	220/50VAC		"	"	3,30
EL20C11A12VDC	LC2-C301 DZ	12VDC		120	"	4,00
EL20C11A24VDC	LC2-C301 DZ	24VDC		"	"	4,00

A RICHIESTA - ON REQUEST: VALVOLE MODULARI PER ELETTROVALVOLE CETOP 5 - MODULAR VALVES FOR SOLENOID OPERATED DIRECTIONAL VALVES CETOP 5

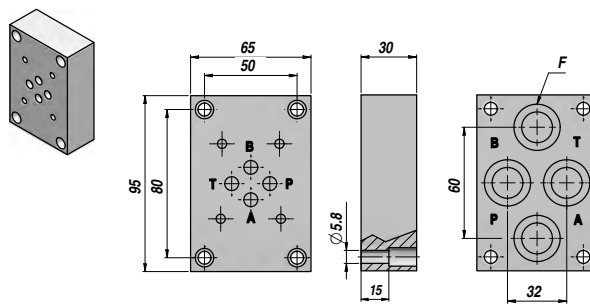
ES3-D-PL **ES3-A-P** CETOP 3

BASE PER ELETTROVALVOLE SENZA VMP
SUB-PLATE FOR SOLENOID VALVES WITHOUT RELIEF VALVE



Codice Code	Tipo Type	F BSP	kg
EV95050005	ES3-D-38-PL	3/8"	1,80

MATERIALE : GHISA
MATERIAL : CAST IRON

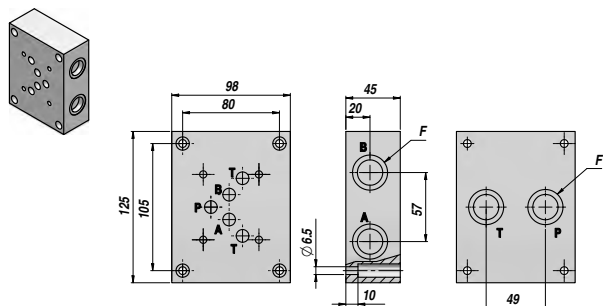


Codice Code	Tipo Type	F BSP	kg
EV95050003	ES3-A-38-P	3/8"	1,00

MATERIALE : GHISA
MATERIAL : CAST IRON

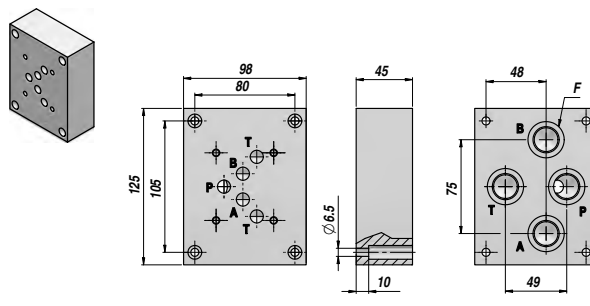
ES5-A-PL **ES5-A-P** CETOP 5

BASE PER ELETTROVALVOLE SENZA VMP
SUB-PLATE FOR SOLENOID VALVES WITHOUT RELIEF VALVE



Codice Code	Tipo Type	F BSP	kg
EV95070005	ES5-A-12-PL	1/2"	3,50

MATERIALE : GHISA
MATERIAL : CAST IRON



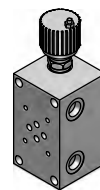
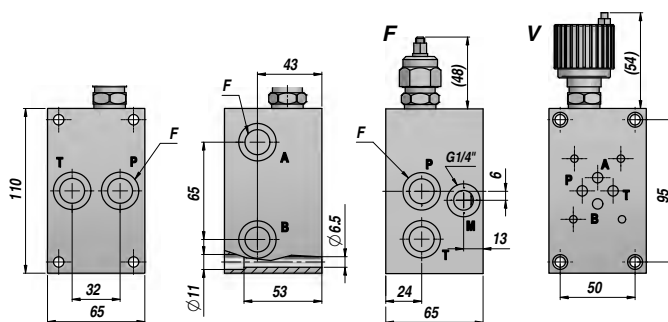
Codice Code	Tipo Type	F BSP	kg
EV95070001	ES5-A-12-P	1/2"	3,50

MATERIALE : GHISA
MATERIAL : CAST IRON

A RICHIESTA - ON REQUEST:
BASI SINGOLE PER ELETTROVALVOLE CETOP 7 E CETOP 8 - SUB-PLATES FOR SOLENOID VALVES CETOP 7 AND CETOP 8

BASE PER ELETTROVALVOLE CONVMP
SUB-PLATE FOR SOLENOID VALVES WITH RELIEF VALVE

CETOP 3 **ES3-B**



Codice Code	Tipo Type	F BSP	kg
EV95050024	ES3-B-38-X.3F	3/8"	3,00
EV95050014	ES3-B-38-X.3V	3/8"	3,00

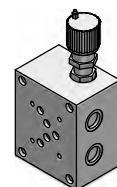
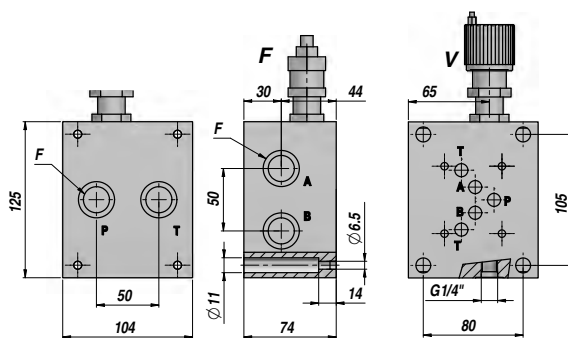
CAMPO DI TARATURA SETTING RANGE
X.0F - X.0V : 5 - 50 bar
X.1F - X.1V : 30 - 100 bar
X.2F - X.2V : 50 - 210 bar
X.3F - X.3V : 100 - 350 bar (Standard)

MATERIALE : GHISA
MATERIAL : CAST IRON

REGOLAZIONE - SETTING : F = A CHIAVE - BY KEY V = A VOLANTINO - BY KNOB

BASE PER ELETTROVALVOLE CONVMP
SUB-PLATE FOR SOLENOID VALVES WITH RELIEF VALVE

CETOP 5 **ES5-B**



Codice Code	Tipo Type	F BSP	kg
EV95070012	ES5-B-12-X.3F	1/2"	7,00
EV95070015	ES5-B-12-X.3V	1/2"	7,00

CAMPO DI TARATURA SETTING RANGE
X.1F - X.1V : 5 - 60 bar
X.2F - X.2V : 35 - 120 bar
X.3F - X.3V : 80 - 300 bar (Standard)

MATERIALE : GHISA
MATERIAL : CAST IRON

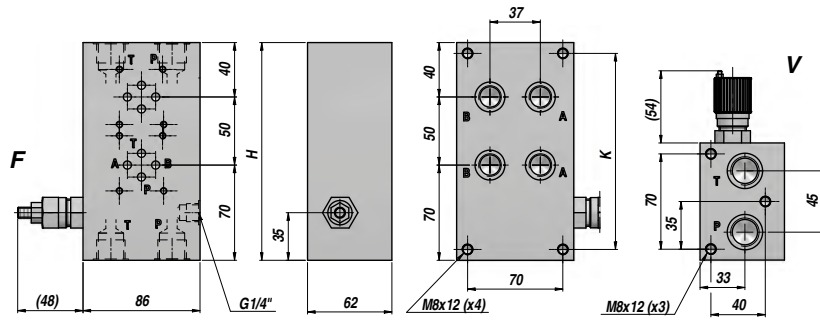
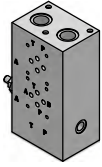
REGOLAZIONE - SETTING : F = A CHIAVE - BY KEY V = A VOLANTINO - BY KNOB

EM103/PX

NEW! CETOP 3

BASE MULTIPLA MONOBLOCCO PER ELETTROVALVOLE CON VMP
MULTIPLE SUB-PLATE FOR SOLENOID VALVES WITH RELIEF VALVE

VERSIONE IN PARALLELO
PARALLEL VERSION



Code Codice	Type Tipo	Positions No. N° posizioni	A - B BSP	P - T BSP	H	K	kg
EM1030138PX3F	EM103/ 1.38P.X.3F	1	3/8"	1/2"	110	94	3,40
EM1030238PX3F	EM103/ 2.38P.X.3F	2			160	144	4,80
EM1030338PX3F	EM103/ 3.38P.X.3F	3			210	194	6,20
EM1030438PX3F	EM103/ 4.38P.X.3F	4			260	244	7,60
EM1030538PX3F	EM103/ 5.38P.X.3F	5			310	294	9,00
EM1030638PX3F	EM103/ 6.38P.X.3F	6			360	344	10,40
EM1030738PX3F	EM103/ 7.38P.X.3F	7			410	394	11,80
EM1030838PX3F	EM103/ 8.38P.X.3F	8			460	444	13,20
EM1030938PX3F	EM103/ 9.38P.X.3F	9			510	494	14,60
EM1031038PX3F	EM103/10.38P.X.3F	10			560	544	16,00
EM1031138PX3F	EM103/11.38P.X.3F	11			610	594	17,40

CAMPO DI TARATURA - SETTING RANGE :

X.0 : 5 - 50 bar - X.1 : 30 - 100 bar - X.2 : 50 - 210 bar - X.3 : 100 - 350 bar (Standard)

REGOLAZIONE - SETTING : **F = A CHIAVE - BY KEY (Standard)** **V = A VOLANTINO - BY KNOB**

MATERIALE : GHISA
MATERIAL : CAST IRON

A RICHIESTA EM103/..PY : PIASTRA MULTIPLA DI MONTAGGIO PER ELETTROVALVOLE CETOP 3 SENZA VMP - Versione in parallelo
ON REQUEST EM103/..PY : MULTIPLE SUB-PLATE FOR CETOP 3 SOLENOID VALVES WITHOUT RELIEF VALVE - Parallel version

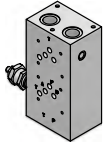
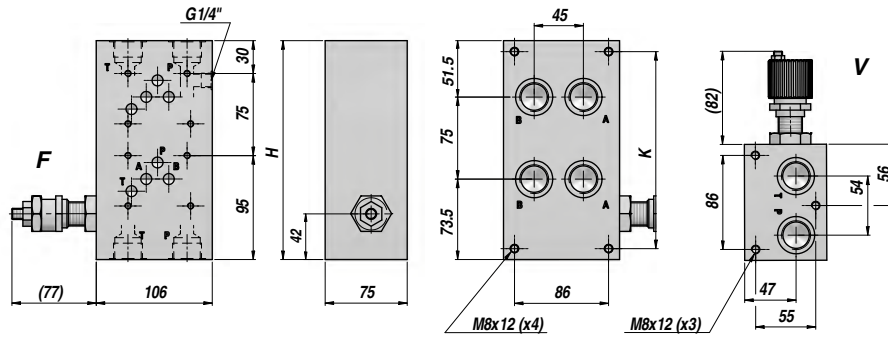
BASE MULTIPLA PER ELETTROVALVOLE CON VMP
 MULTIPLE SUB-PLATE FOR SOLENOID VALVES WITH RELIEF VALVE

CETOP 5

NEW!

EM105/PX

VERSIONE IN PARALLELO
 PARALLEL VERSION



Codice Code	Tipo Type	N° posizioni Positions No.	A - B BSP	P - T BSP	H	K	kg
EM1050134PX3F	EM105/1.34.X.3F	1			125	105	7,00
EM1050234PX3F	EM105/2.34.X.3F	2			200	180	11,00
EM1050334PX3F	EM105/3.34.X.3F	3			275	255	15,00
EM1050434PX3F	EM105/4.34.X.3F	4	3/4"	3/4"	350	330	19,00
EM1050534PX3F	EM105/5.34.X.3F	5			425	405	23,00
EM1050634PX3F	EM105/6.34.X.3F	6			500	480	26,00
EM1050734PX3F	EM105/7.34.X.3F	7			575	555	29,00

CAMPO DI TARATURA - SETTING RANGE :

X.1 : 5 - 60 bar - X.2 : 35 - 120 bar - X.3 : 80 - 270 bar (Standard)

REGOLAZIONE - SETTING : F = A CHIAVE - BY KEY (Standard) V = A VOLANTINO - BY KNOB

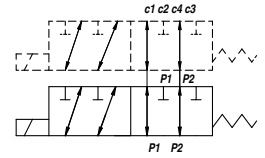
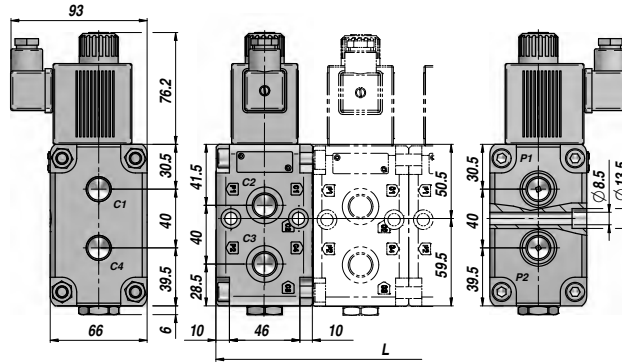
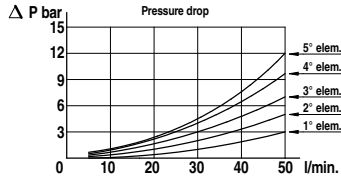
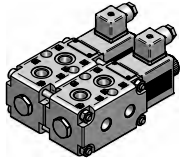
MATERIALE : GHISA
 MATERIAL : CAST IRON

A RICHIESTA EM105/.Y : PIASTRA MULTIPLA DI MONTAGGIO PER ELETTROVALVOLE CETOP 5 SENZA VMP- Versione in parallelo
 ON REQUEST EM105/.Y : MULTIPLE SUB-PLATE FOR CETOP 5 SOLENOID VALVES WITHOUT RELIEF VALVE - Parallel version

VS 241/F

SELETTORE DI CIRCUITO A COMANDO ELETTRICO (COMPONIBILE) SOLENOID OPERATED DIVERTER VALVE (MODULAR TYPE)

DRENAGGIO INTERNO
INTERNAL DRAIN



Codice Code	Codice Code	Tipo Type	N° Elementi Elements no.	Vie Ports	P1 - P2 C1 - C4 C2 - C3	Q MAX l/min	P MAX bar	L	kg
12 VDC	24 VDC				BSP				
ELVSF240112DC	ELVSF240124DC	VS241/F1-3/8"DZ-6B-DI-*-DIN-N	1	6	3/8"	50	250	66	3,35
ELVSF240212DC	ELVSF240224DC	VS241/F2-3/8"DZ-6B-DI-*-DIN-N	2	8	3/8"	50	250	132	6,70
ELVSF240312DC	ELVSF240324DC	VS241/F3-3/8"DZ-6B-DI-*-DIN-N	3	10	3/8"	50	250	198	10,05
ELVSF240412DC	ELVSF240424DC	VS241/F4-3/8"DZ-6B-DI-*-DIN-N	4	12	3/8"	50	250	264	13,40

*12DC= V12DC 24DC= V24DC

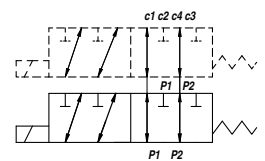
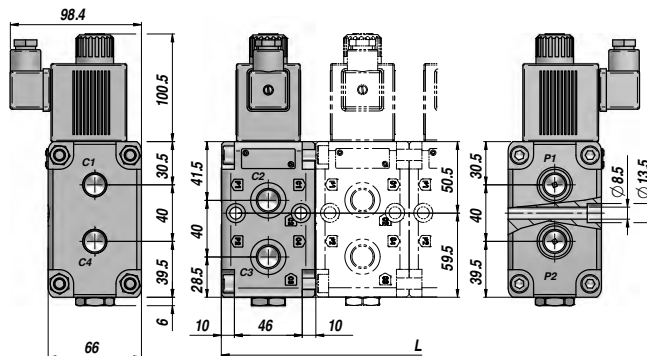
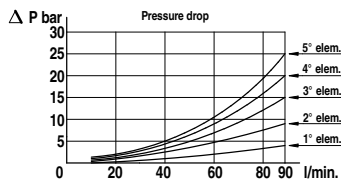
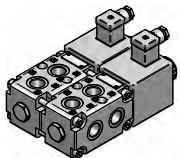
A RICHIESTA : DRENAGGIO ESTERNO P MAX.: 310 bar

ON REQUEST : EXTERNAL DRAIN P MAX.: 310 bar

VS 281/F

SELETTORE DI CIRCUITO A COMANDO ELETTRICO (COMPONIBILE) SOLENOID OPERATED DIVERTER VALVE (MODULAR TYPE)

DRENAGGIO INTERNO
INTERNAL DRAIN



Codice Code	Codice Code	Tipo Type	N° Elementi Elements no.	Vie Ports	P1 - P2 C1 - C4 C2 - C3	Q MAX l/min	P MAX bar	L	kg
12 VDC	24 VDC				BSP				
ELVSF280112DC	ELVSF280124DC	VS281/F1-3/8"DZ-6B-DI-*-DIN-N	1	6	1/2"	90	250	66	4,15
ELVSF280212DC	ELVSF280224DC	VS281/F2-3/8"DZ-6B-DI-*-DIN-N	2	8	1/2"	90	250	132	8,30
ELVSF280312DC		VS281/F3-3/8"DZ-6B-DI-*-DIN-N	3	10	1/2"	90	250	198	12,45
ELVSF280412DC		VS281/F4-3/8"DZ-6B-DI-*-DIN-N	4	12	1/2"	90	250	264	16,60

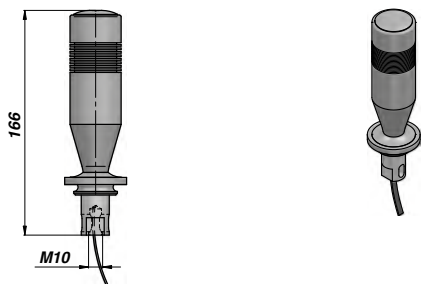
*12DC= V12DC 24DC= V24DC

A RICHIESTA : DRENAGGIO ESTERNO P MAX.: 310 bar

ON REQUEST : EXTERNAL DRAIN P MAX.: 310 bar

IMPUGNATURA DIRITTA
STRAIGHT HANDLE

NEW! SX

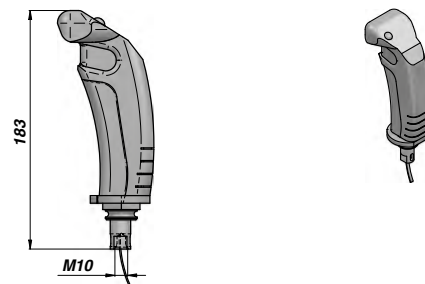


Codice Code	Tipo Type	Pulsante Button	Volt max	Corrente Current	kg
EDGSX12331	SX-PRSVC	1	250 DC	max. 16A	0,15

PROTEZIONE - PROTECTION : IP54

IMPUGNATURA ERGONOMICA
ERGONOMIC HANDLE

NEW! MFE-E1

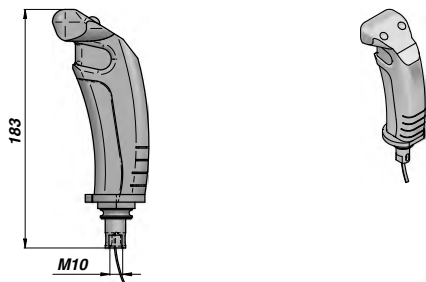


Codice Code	Tipo Type	Pulsante Button	Volt max	Corrente Current	kg
EDHLVPCED1	MFE-E-1P	1	30 DC	max. 3A	0,18

PROTEZIONE - PROTECTION : IP67

IMPUGNATURA ERGONOMICA
ERGONOMIC HANDLE

NEW! MFE-E2

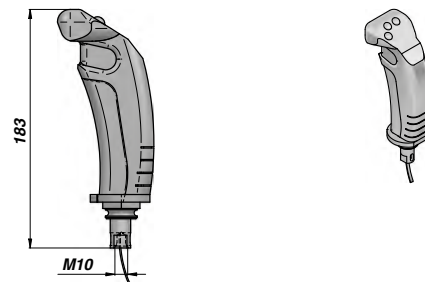


Codice Code	Tipo Type	Pulsante Button	Volt max	Corrente Current	kg
EDHLVPCED2	MFE-E-2P	2	30 DC	max. 3A	0,18

PROTEZIONE - PROTECTION : IP67

IMPUGNATURA ERGONOMICA
ERGONOMIC HANDLE

NEW! MFE-E3

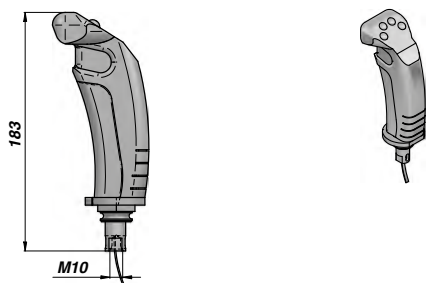


Codice Code	Tipo Type	Pulsante Button	Volt max	Corrente Current	kg
EDHLVPCED3	MFE-E-3P	3	30 DC	max. 3A	0,18

PROTEZIONE - PROTECTION : IP67

IMPUGNATURA ERGONOMICA
ERGONOMIC HANDLE

NEW! MFE-E4

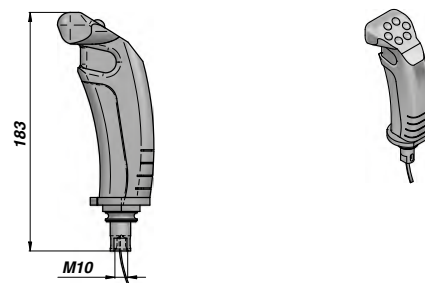


Codice Code	Tipo Type	Pulsante Button	Volt max	Corrente Current	kg
EDHLVPCED4	MFE-E-4P	4	30 DC	max. 3A	0,18

PROTEZIONE - PROTECTION : IP67

IMPUGNATURA ERGONOMICA
ERGONOMIC HANDLE

NEW! MFE-E6



Codice Code	Tipo Type	Pulsante Button	Volt max	Corrente Current	kg
EDHLVPCED6	MFE-E-6P	6	30 DC	max. 3A	0,18

PROTEZIONE - PROTECTION : IP67